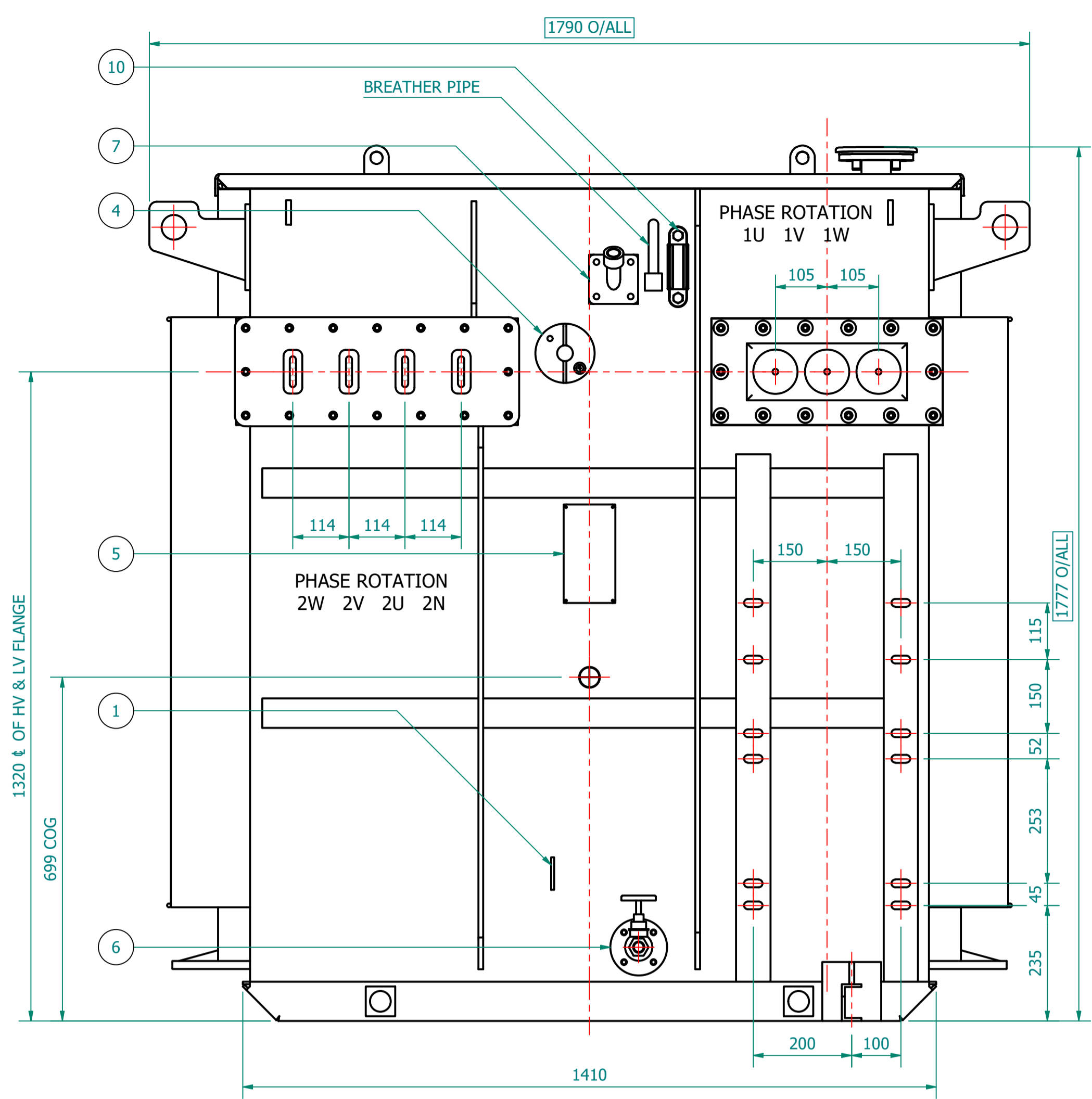
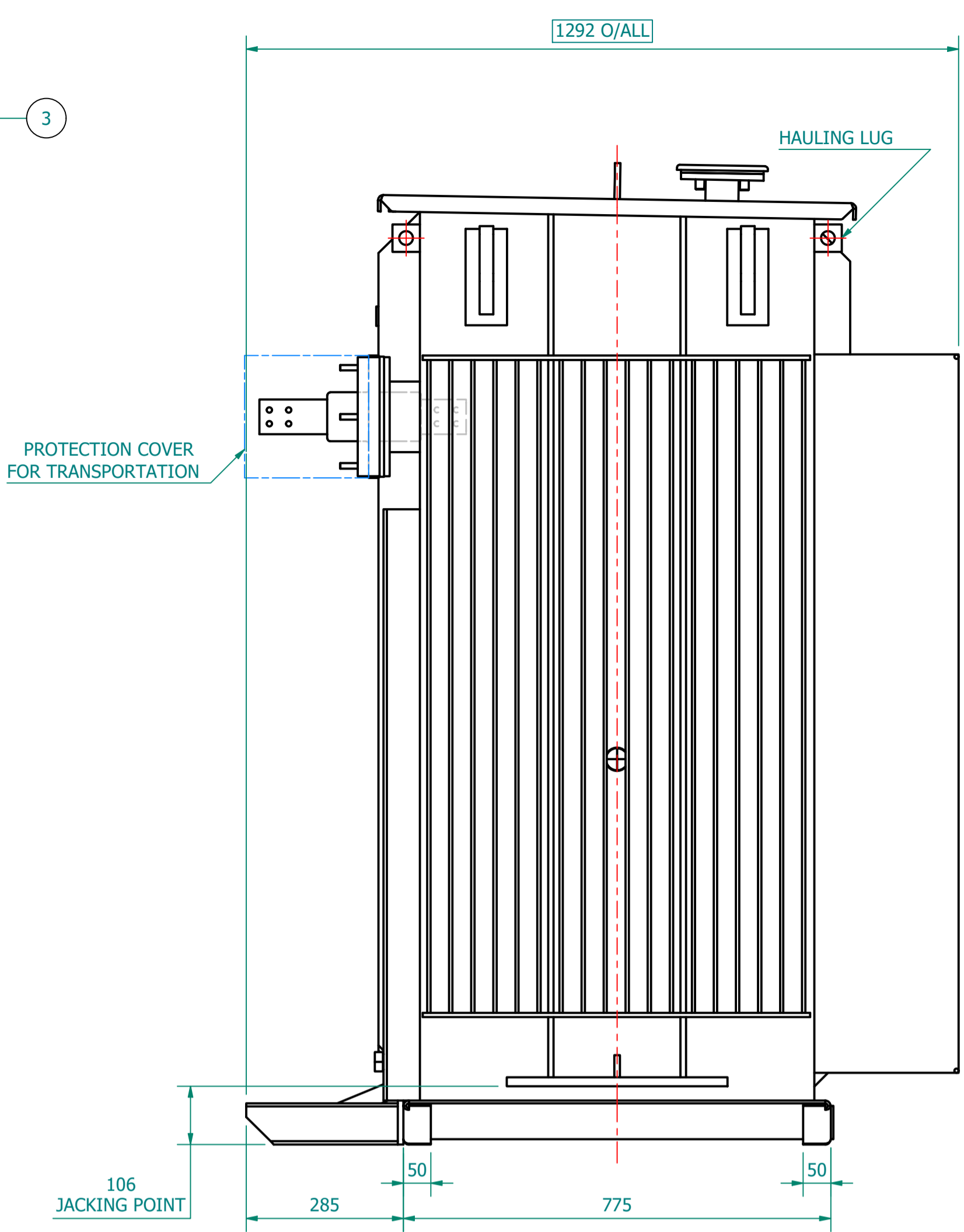
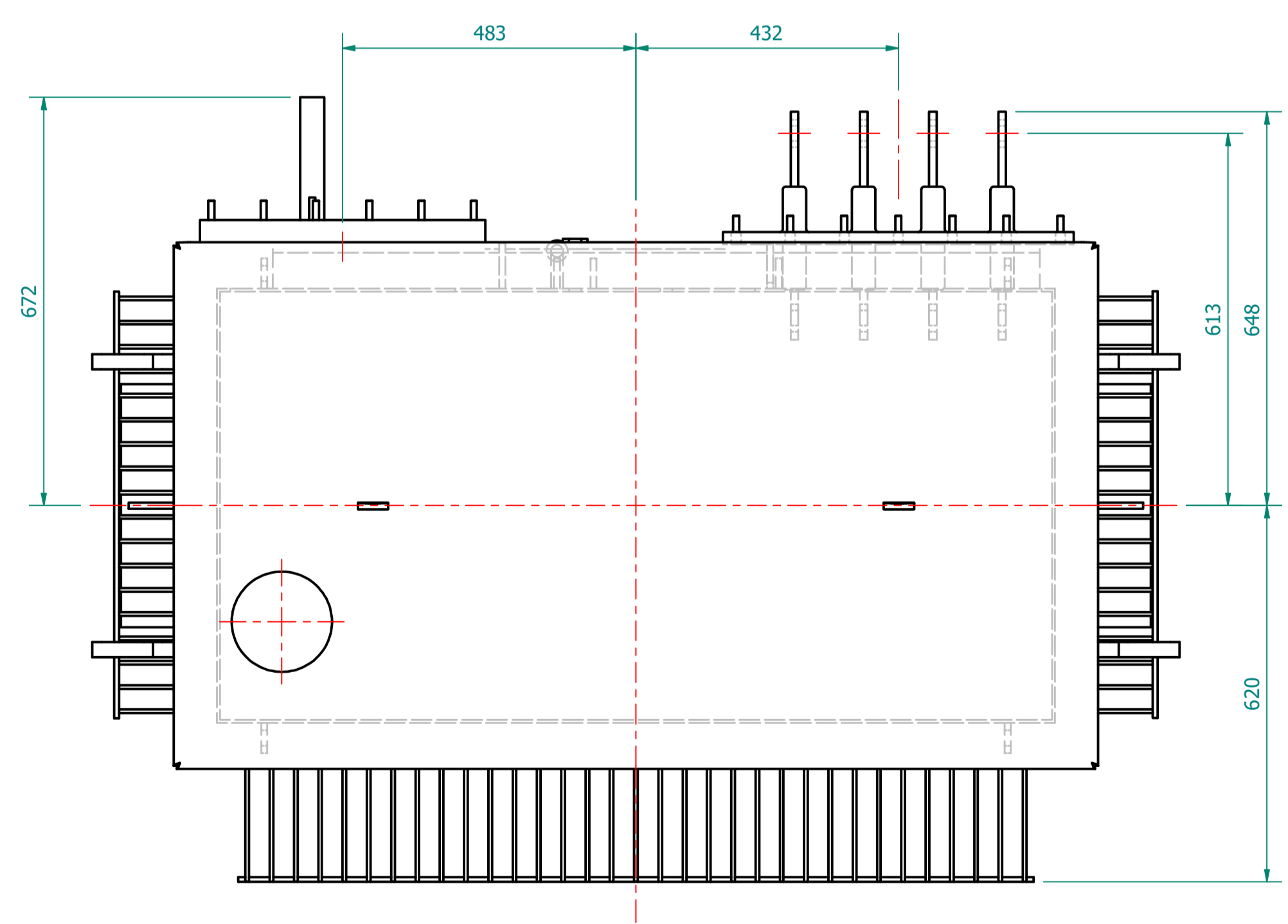
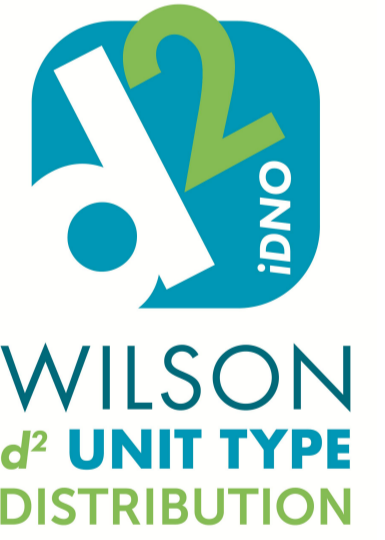


PLAN VIEW

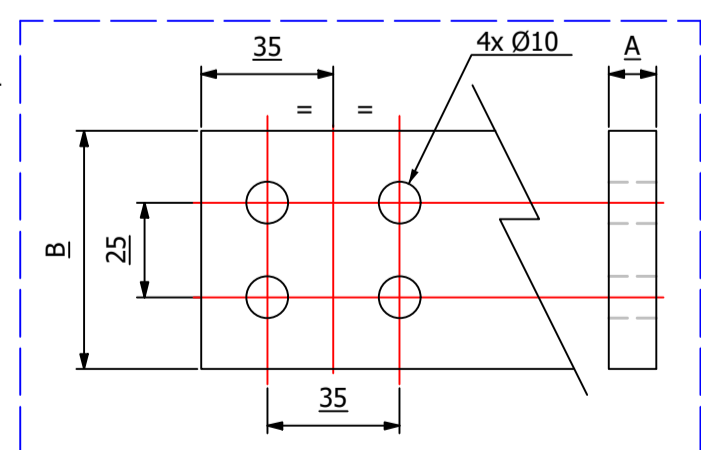


| TRANSFORMER WEIGHT & VOLUME | | |
|-----------------------------|----|------|
| CORE AND WINDING | kg | 2225 |
| TANK AND FITTING | kg | 1495 |
| COOLING LIQUID VOLUME | L | 951 |
| COOLING LIQUID WEIGHT | kg | 780 |
| TOTAL TX WEIGHT | kg | 4500 |



ESSENTIAL LABELS

- ITEM 7 TAP CHANGER WARNING LABEL
- ITEM 4 COLD COOLANT LEVEL
- HV WARNING LABEL
- LV WARNING LABEL



| LV TERMINAL DETAILS | | |
|---------------------|-------------|-----------|
| 1700A | A = 12.5 mm | B = 63 mm |
| 2500A | A = 20 mm | B = 63 mm |
| 3150A | A = 35 mm | B = 63 mm |
| 4000A | A = 35 mm | B = 70 mm |

| 1500kVA ELECTRICAL RATINGS | | | | | |
|-------------------------------------|---|---|-------------------------------|---------------------------------|---------|
| No Load Voltage Ratio at Normal Tap | HV Tappings | Vector Group | Frequency | Full-Load Current at Normal Tap | |
| 11000 / 433V | +5.0 to -5.0% in 2.5% INCREMENTS | Dyn11 | 50Hz | HV Side | LV Side |
| Design Impedance at Normal Tap | No Load Losses at rated Voltage & Frequency | Full Load Losses at rated Current & at 75°C Temp. | Temp. Rise above Ambient 40°C | | |
| 5.5% | 1015W | 11285W | in Oil by Therm. | in Wdg. by Res. | |
| | | | 60°C | 65°C | |

GENERAL NOTES

- ALL DIMENSIONS ARE IN 'mm'.
- ALL DIMENSIONS/WEIGHTS ARE SUBJECT TO ± 10% TOLERANCE.
- ELECTRONIC SCALE - 1:1 (ONLY WRITTEN DIMENSIONS TO BE FOLLOWED).
- TOLERANCE ON IMPEDANCE PER IEC:60076.
- PAINT SHADE.: RAL7033 TO ISO12944 - MIN C4 SPEC.

| ITEM | QTY | DESCRIPTION |
|------|-----|---|
| 11 | 4 | TRANSFORMER LIFTING LUGS |
| 10 | 1 | OIL LEVEL GAUGE (with 15°) COLD OIL LEVEL MARK |
| 9 | 1 | TRANSFORMER BASE (SKID TYPE) c/w HAULAGE HOLES |
| 8 | 2 | JACKING POINT |
| 7 | 1 | THERMOMETER POCKET (3/4" BSP MALE THREAD) |
| 6 | 1 | DRAIN VALVE (25NB) with MALE PLUG |
| 5 | 1 | RATING & DIAGRAM PLATE (SS) |
| 4 | 1 | DE-ENERGIZE TAP CHANGER (5-Position & Padlockable) |
| 3 | 1 | TOP COVER with LIFTING LUGS (x2) |
| 2 | 1 | OIL FILLING PIPE WITH FLANGED COVER |
| 1 | 1 | EARTHING TERMINAL (FLAT TYPE suitable for M12 Bolt) |

IF IN DOUBT - ASK. REMOVE ALL SHARP EDGES. DO NOT SCALE. DRAWING NOT TO SCALE

MANUFACTURED BY: **TOSHIBA TRANSFORMER**
TOSHIBA TRANSMISSION & DISTRIBUTION SYSTEMS (INDIA) PVT. LTD.

| REV | REV BY | VERIFIED | APPROVED | DESCRIPTION |
|-----|--------|----------|----------|-------------|
| | | | | |

| REVISION DESCRIPTION | REV | PROJECT |
|----------------------|-----|---------|
| ORIGINAL | 00 | |

| REV. BY: | DATE | CUSTOMER |
|----------|-------------|----------|
| J. NOVO | 14-OCT-2022 | |

| PROJECT | DRAWING TITLE |
|---------|--|
| | GENERAL ARRANGEMENT DRAWING FOR d2, 1500kVA 11000/433V, 50Hz, Dyn11, ONAN AL WOUND UNIT TYPE TRANSFORMER |

| SUPPLIED BY: | | Wilson Power Solutions Ltd. | |
|--------------|--------------------------|---|------------|
| | | Westland Square, Leeds, West Yorkshire LS11 5SS, United Kingdom Tel: +44 (0) 113 271 7588 Fax: +44 (0) 113 277 5124 web: www.wilsonpowersolutions.co.uk email: info@wilsonpowersolutions.co.uk | |
| DRAWN BY: | J. NOVO | DATE: | 14/10/2022 |
| DRG NO: | WPS-d2-UKPN-1500-AL-U001 | | |