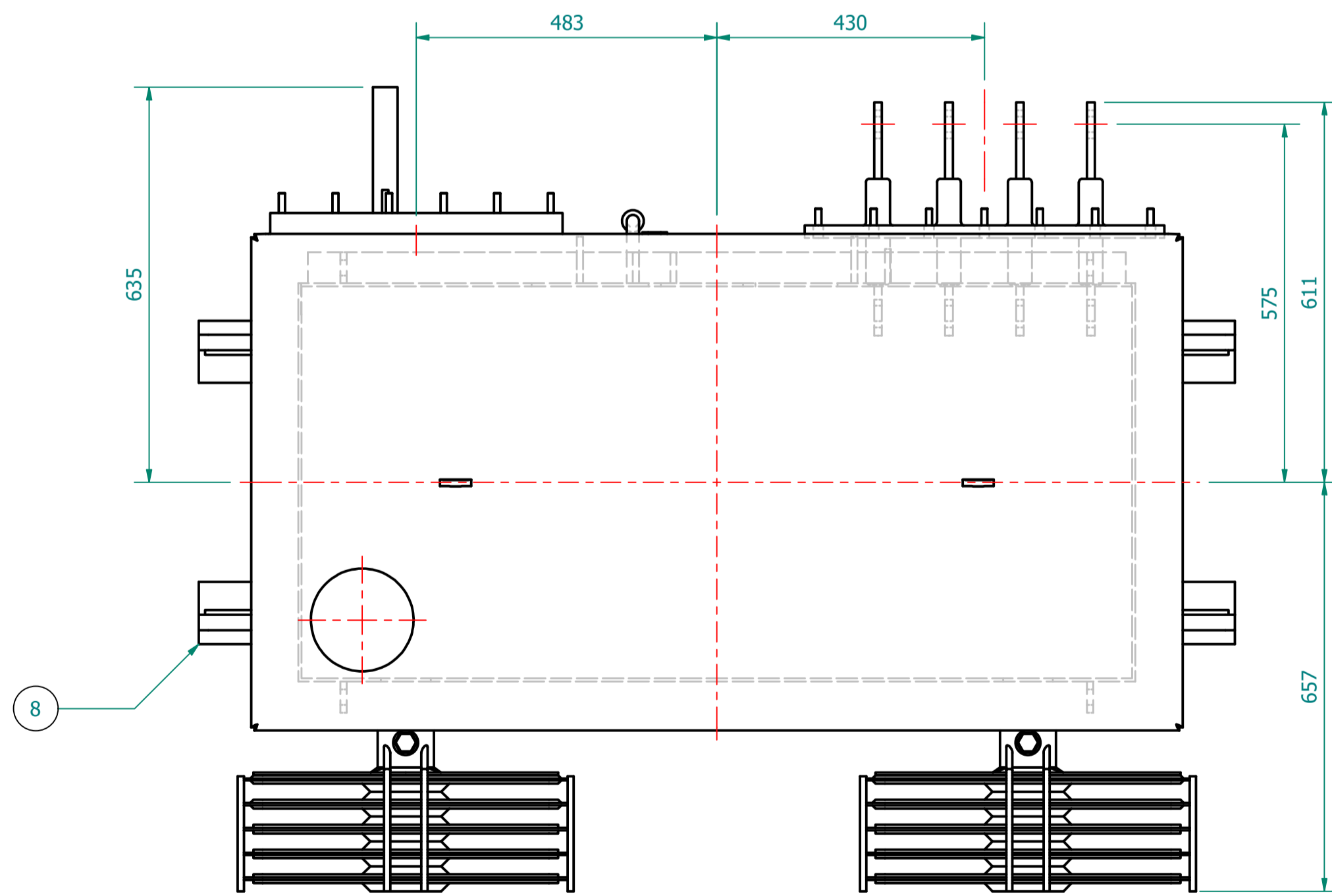
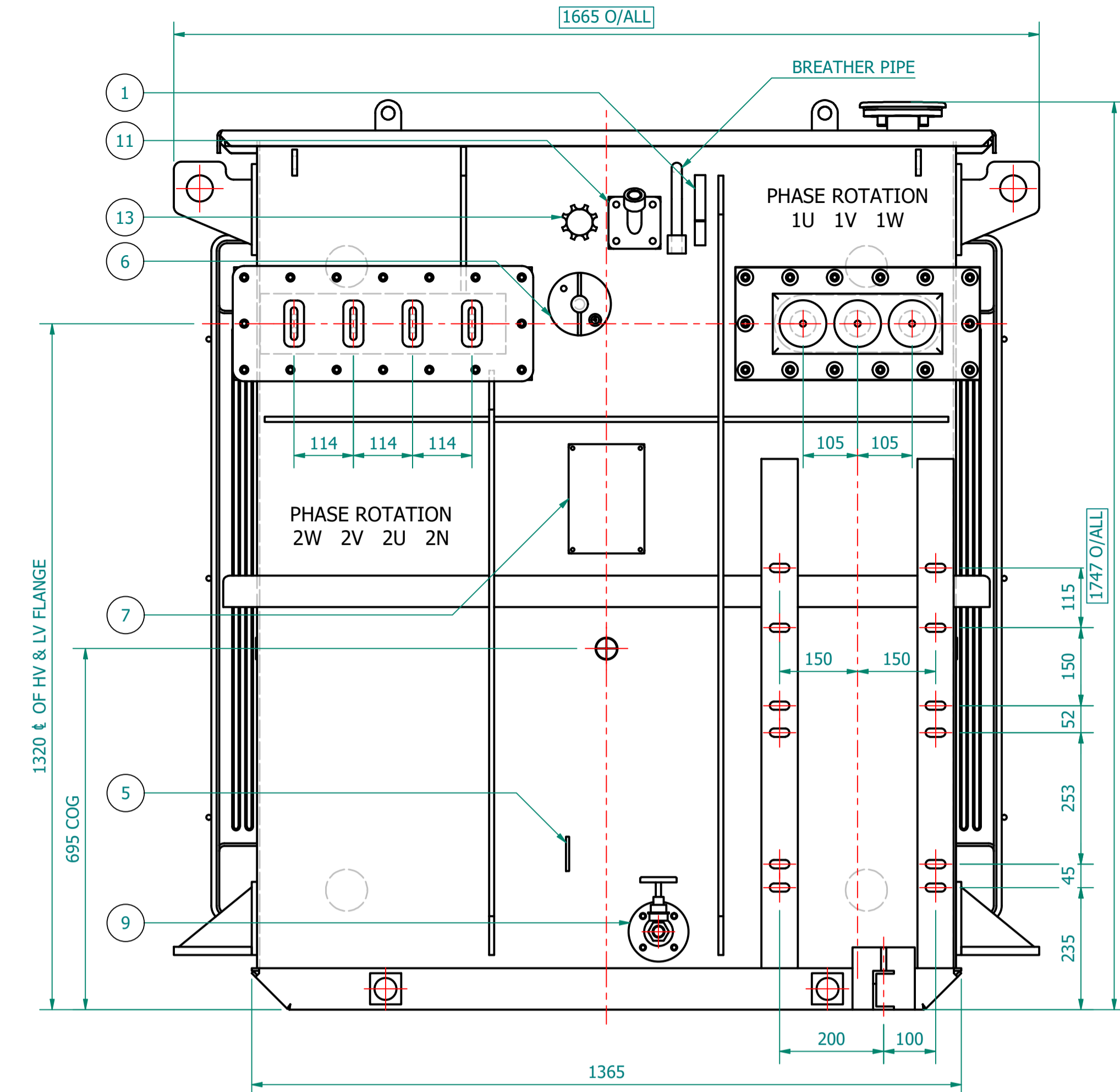
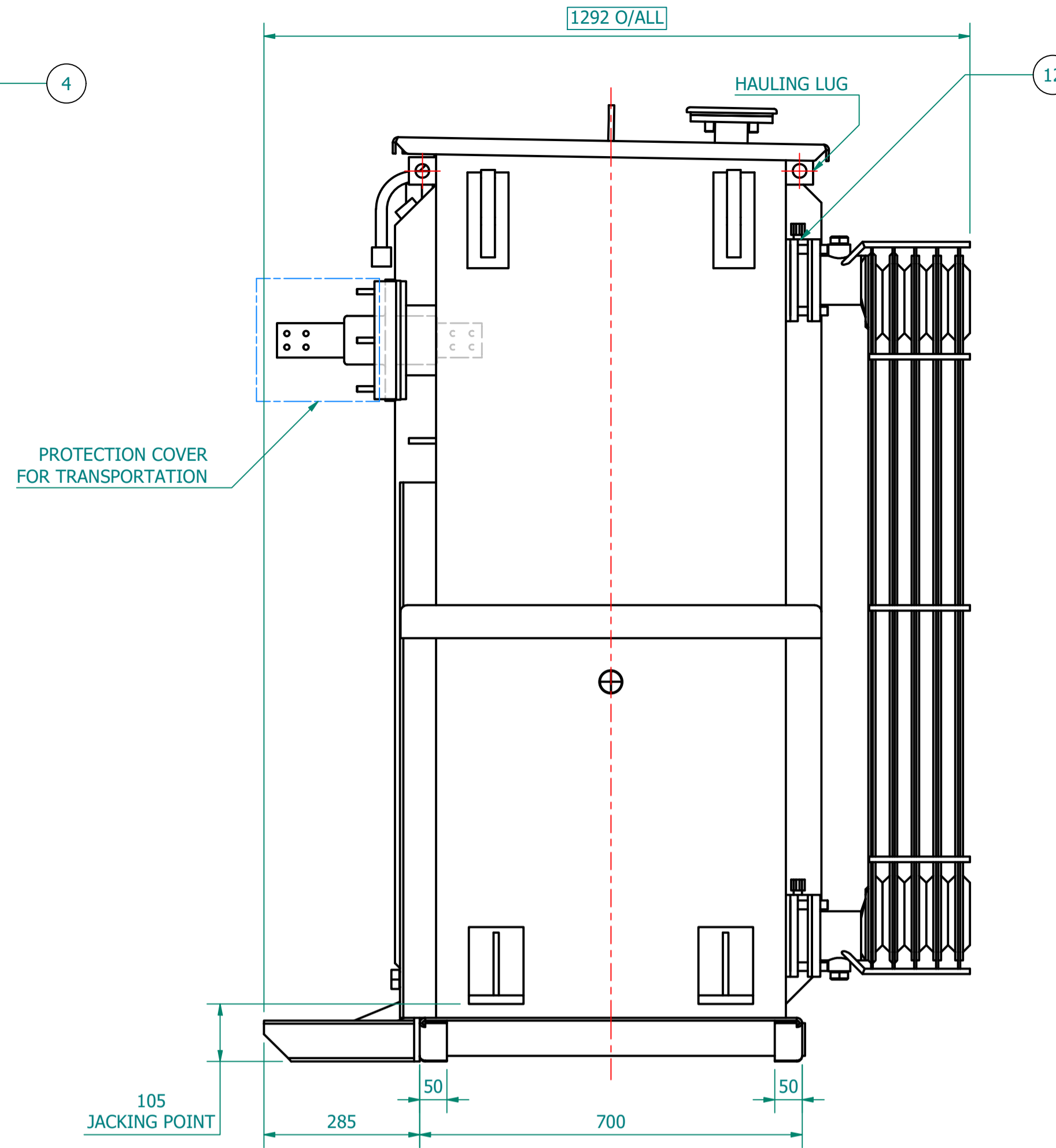
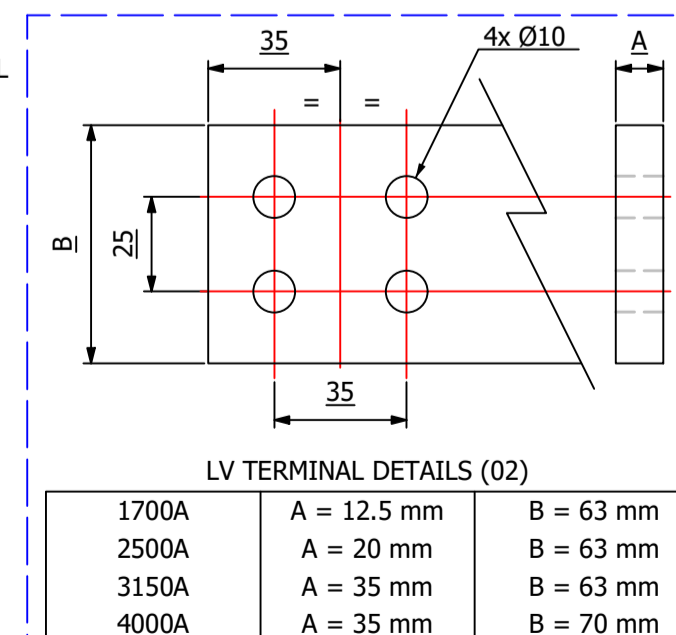
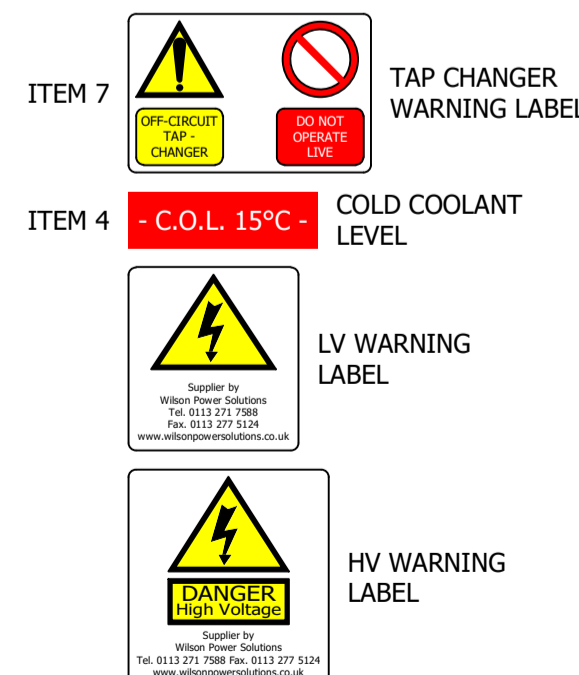


PLAN VIEW



ESSENTIAL LABELS



TRANSFORMER WEIGHT & VOLUME		
CORE AND WINDING	kg	1775
TANK AND FITTING	kg	1175
COOLING LIQUID VOLUME	L	854
COOLING LIQUID WEIGHT	kg	700
TOTAL TX WEIGHT	kg	3650

1000kVA ELECTRICAL RATINGS					
No Load Voltage Ratio at Normal Tap	HV Tappings	Vector Group	Frequency	Full-Load Current at Normal Tap	
				HV Side	LV Side
11000-6600 / 433V	+5.0 to -5.0% in 2.5% INCREMENTS	Dyn11	50Hz	52.49A - 87.480	1333.37A
Design Impedance at Normal Tap	No Load Losses at rated Voltage & Frequency	Full Load Losses at rated Current & at 75°C Temp.	Temp. Rise above Ambient 40°C		
			in Oil by Therm.	in Wdg. by Res.	
4.75%	796W	8360W	60°C	65°C	

GENERAL NOTES

- ALL DIMENSIONS ARE IN 'mm'.
- ALL DIMENSIONS/WEIGHTS ARE SUBJECT TO ± 10% TOLERANCE.
- ELECTRONIC SCALE - 1:1 (ONLY WRITTEN DIMENSIONS TO BE FOLLOWED).
- TOLERANCE ON IMPEDANCE PER IEC:60076.
- PAINT SHADE.: RAL7033 TO ISO12944 - MIN C4 SPEC.

ITEM	QTY	DESCRIPTION
14	2	DETACHABLE RADIATORS with AIR-RELEASE & DRAIN PLUG (520W x 1200C x 5S x 40P)
13	1	VOLTAGE CHANGE OVER SWITCH
12	4	RADIATOR VALVE
11	1	THERMOMETER POCKET (3/4" BSP MALE THREAD)
10	4	TRANSFORMER LIFTING LUGS
9	1	DRAIN VALVE (25NB) with MALE PLUG
8	4	JACKING PADS
7	1	RATING & DIAGRAM PLATE (SS)
6	1	DE-ENERGIZE TAP CHANGER (5-Position & Padlockable)
5	1	EARTHING TERMINAL (FLAT TYPE suitable for M12 Bolt)
4	1	TOP COVER with LIFTING LUGS (x2)
3	1	TRANSFORMER BASE (SKID TYPE) c/w HAULAGE HOLES
2	1	OIL FILLING PIPE WITH FLANGED COVER
1	1	OIL LEVEL GAUGE (with 15°) COLD OIL LEVEL MARK

IF IN DOUBT - ASK. REMOVE ALL SHARP EDGES. DO NOT SCALE. DRAWING NOT TO SCALE.



REV	REV BY	VERIFIED	APPROVED	DESCRIPTION

REVISION DESCRIPTION	REV	PROJECT
ORIGINAL	00	

REV. BY:	DATE	CUSTOMER
J. NOVO	14-OCT-2022	

PROJECT	S.O. NUMBER	P.O. NUMBER	W.O. NUMBER

DRAWING TITLE
GENERAL ARRANGEMENT DRAWING FOR d2, 1000kVA 11000-6600/433V, 50Hz, Dyn11, ONAN AL WOUND UNIT TYPE TRANSFORMER

SUPPLIED BY:		Wilson Power Solutions Ltd.	
		Westland Square, Leeds, West Yorkshire LS11 5SS, United Kingdom Tel: +44 (0) 113 271 7588 Fax: +44 (0) 113 277 5124 web: www.wilsonpowersolutions.co.uk email: info@wilsonpowersolutions.co.uk	
DRAWN BY: J. NOVO	DATE: 14/10/2022	DRG NO: WPS-d2-UKPN-1000-AL-UD001	