

QUALITROL® 050

Pressure or vacuum indicators



Durable design for survivability in harsh environments

- Quickly assess pressure condition
- Large variety of models for many applications

Product Summary

Description Pressure and/or vacuum indicator for accurate representation of the pressure state inside of a vessel. Features a 3.5 inch (88.9 mm) dial with at least 180° of angular pointer deflection for easy reading at a glance. Available in a wide variety of pressure ranges and scales for many applications.

Application For pressure or vacuum indication on transformers and other related equipment.



QUALITROL®
Defining Reliability



Durable design for survivability in harsh environments

- Rugged steel outer case
- Internal components made with corrosion resistant materials
- UV stabilized polycarbonate lens for resistance to yellowing and extra protection against breakage

Quickly assess pressure condition

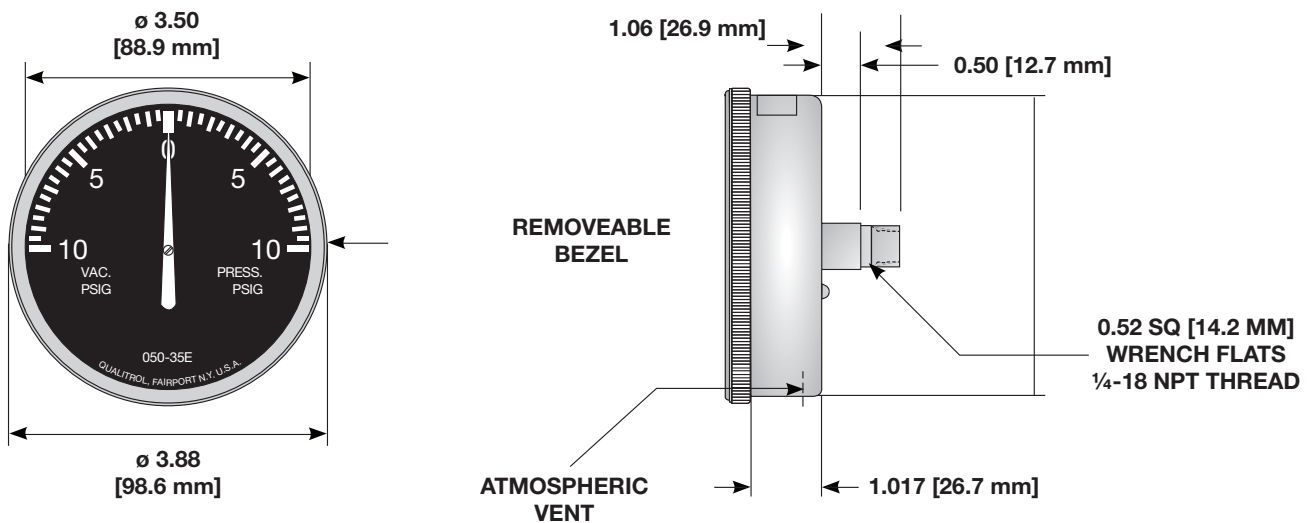
- Features a 3.5 inch (88.9 mm) dial face with at least 180° of angular pointer deflection for easy reading at a glance
- Accuracy of ±3% of full scale provides reliable readings

Large variety of models for many applications

- Many options for dial range, unit of measure, angular deflection, pressure range and other special application features are available
- Special models featuring an oil-filled, stainless steel case for high vibration and/or highly corrosive environments

TECHNICAL SPECIFICATIONS

Mechanical	Mounting	¼-18 NPT thread mount (centered on back of indicator)
	Standard dial ranges	-10 to +10 psi (other ranges available, contact factory)
	Accuracy	±3% of full scale accuracy
	Zero band	±2% of dial range
Materials	Mounting connection	Brass
	Case	Cold rolled steel with ANSI #70 light gray coating
	Fastening bezel and lens	One piece molded UV stabilized polycarbonate
Environmental	Ambient operating temperature	-40 to 180° F (-40 to 82 C°)
	Vibration resistance	Not affected when subjected to 60 Hz. or whole multiples thereof
Dial readability	Standard dial graduations	Major (5 psi), intermediate (1psi), minor (0.5psi)
	Angular pointer deflection	180° (standard), special models up to 270°



©2008 QUALITROL® Company LLC, an ISO 9001 certified company. All rights reserved. Information subject to change without notice. All trademarks are properties of their respective companies, as noted herein. AP-P05-03L-01E.