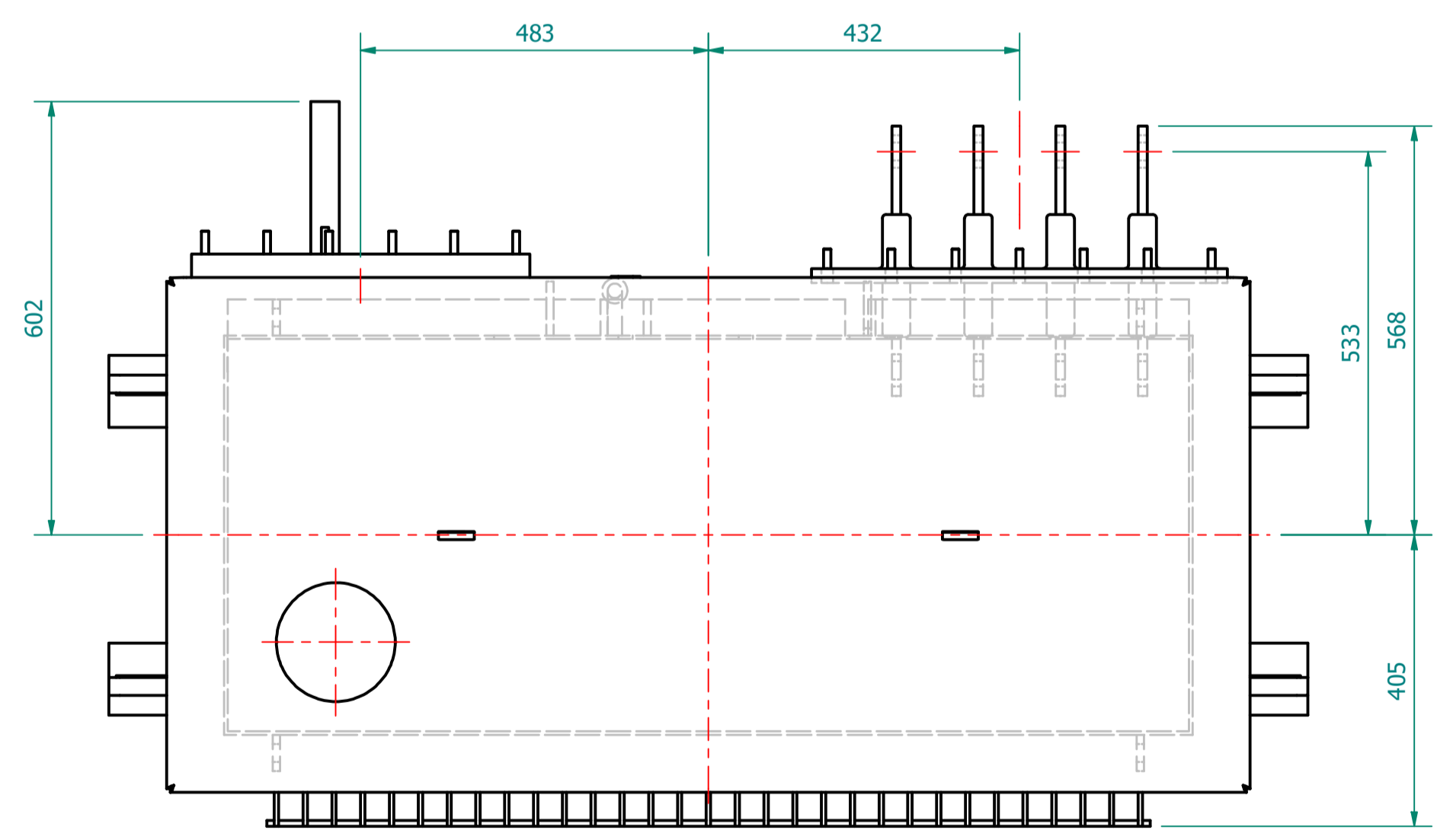


PLAN VIEW

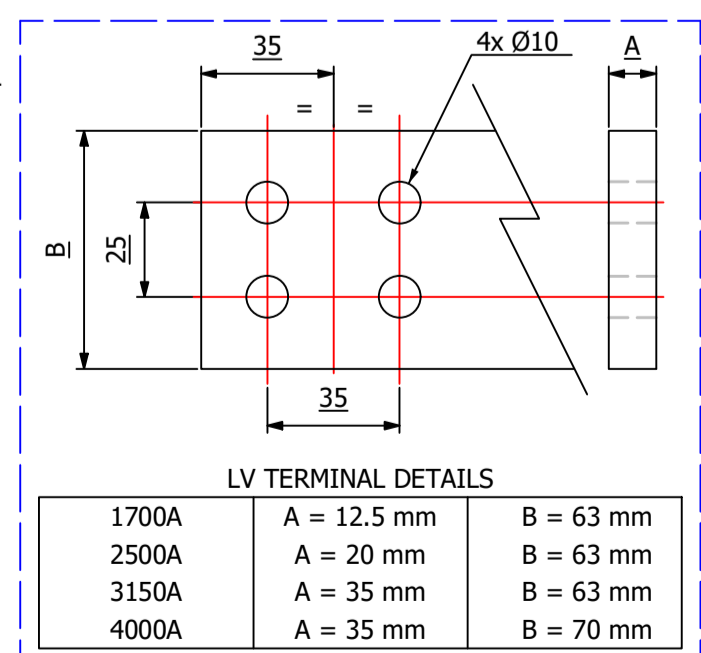


TRANSFORMER WEIGHT & VOLUME		
CORE AND WINDING	kg	1070
TANK AND FITTING	kg	885
COOLING LIQUID VOLUME	L	726
COOLING LIQUID WEIGHT	kg	595
TOTAL TX WEIGHT	kg	2550



**ESSENTIAL LABELS**

- ITEM 7: TAP CHANGER WARNING LABEL (OFF-CIRCUIT TAP CHANGERS, NO OPEN CIRCUIT TAP)
- ITEM 4: COLD COOLANT LEVEL (-C.O.L. 15°C)
- LV WARNING LABEL
- HV WARNING LABEL

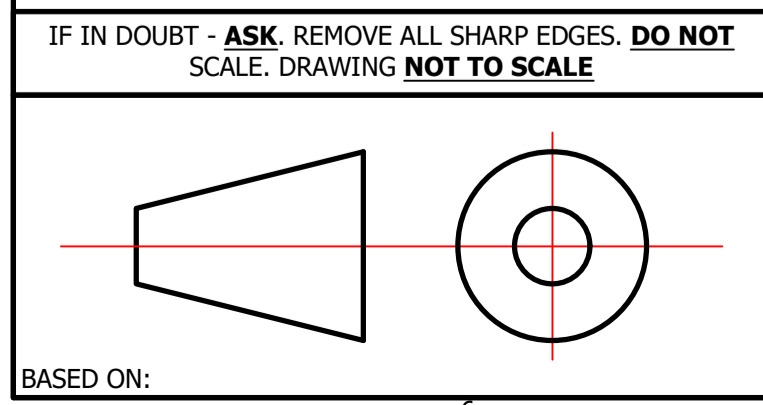


500kVA ELECTRICAL RATINGS					
No Load Voltage Ratio at Normal Tap	HV Tappings	Vector Group	Frequency	Full-Load Current at Normal Tap	
11000-6600 / 433V	+5 to -5.0% in 2.5% INCREMENTS	Dyn11	50Hz	HV Side	LV Side
Design Impedance at Normal Tap	No Load Losses at rated Voltage & Frequency	Full Load Losses at rated Current & at 75°C Temp.	Temp. Rise above Ambient 40°C		
4.75%	527W	4290W	in Oil by Therm.	in Wdg. by Res.	
			60°C	65°C	

**GENERAL NOTES**

- ALL DIMENSIONS ARE IN 'mm'.
- ALL DIMENSIONS/WEIGHTS ARE SUBJECT TO ± 10% TOLERANCE.
- ELECTRONIC SCALE - 1:1 (ONLY WRITTEN DIMENSIONS TO BE FOLLOWED).
- TOLERANCE ON IMPEDANCE PER IEC:60076.
- PAINT SHADE.: RAL7033 TO ISO12944 - MIN C4 SPEC.

ITEM	QTY	DESCRIPTION
12	1	VOLTAGE CHANGE OVER SWITCH
11	1	DE-ENERGIZE TAP CHANGER (5-Position & Padlockable)
10	4	TRANSFORMER LIFTING LUGS
9	1	OIL LEVEL GAUGE (with 15°) COLD OIL LEVEL MARK
8	1	THERMOMETER POCKET (3/4" BSP MALE THREAD)
7	1	DRAIN VALVE (25NB) with MALE PLUG
6	4	JACKING PADS
5	1	RATING & DIAGRAM PLATE (SS)
4	1	TOP COVER with LIFTING LUGS (x2)
3	1	OIL FILLING PIPE WITH FLANGED COVER
2	1	EARTHING TERMINAL (FLAT TYPE suitable for M12 Bolt)
1	1	TRANSFORMER BASE (SKID TYPE) c/w HAULAGE HOLES



REV	REV BY	VERIFIED	APPROVED	DESCRIPTION

REVISION DESCRIPTION	REV	PROJECT
ORIGINAL	00	-

DRAWING TITLE	
GENERAL ARRANGEMENT DRAWING FOR	d2, 500kVA
11000-6600/433V, 50Hz, Dyn11, ONAN	AL WOUND UNIT TYPE TRANSFORMER

SUPPLIED BY:

Westland Square, Leeds,  
West Yorkshire LS11 5SS, United Kingdom  
Tel: +44 (0) 113 271 7588  
Fax: +44 (0) 113 277 5124  
web: www.wilsonpowersolutions.co.uk email: info@wilsonpowersolutions.co.uk

DRAWN BY: J. NOVO DATE: 14/10/2022 DRG NO: WPS-d2-UKPN-500-AL-DR-U001