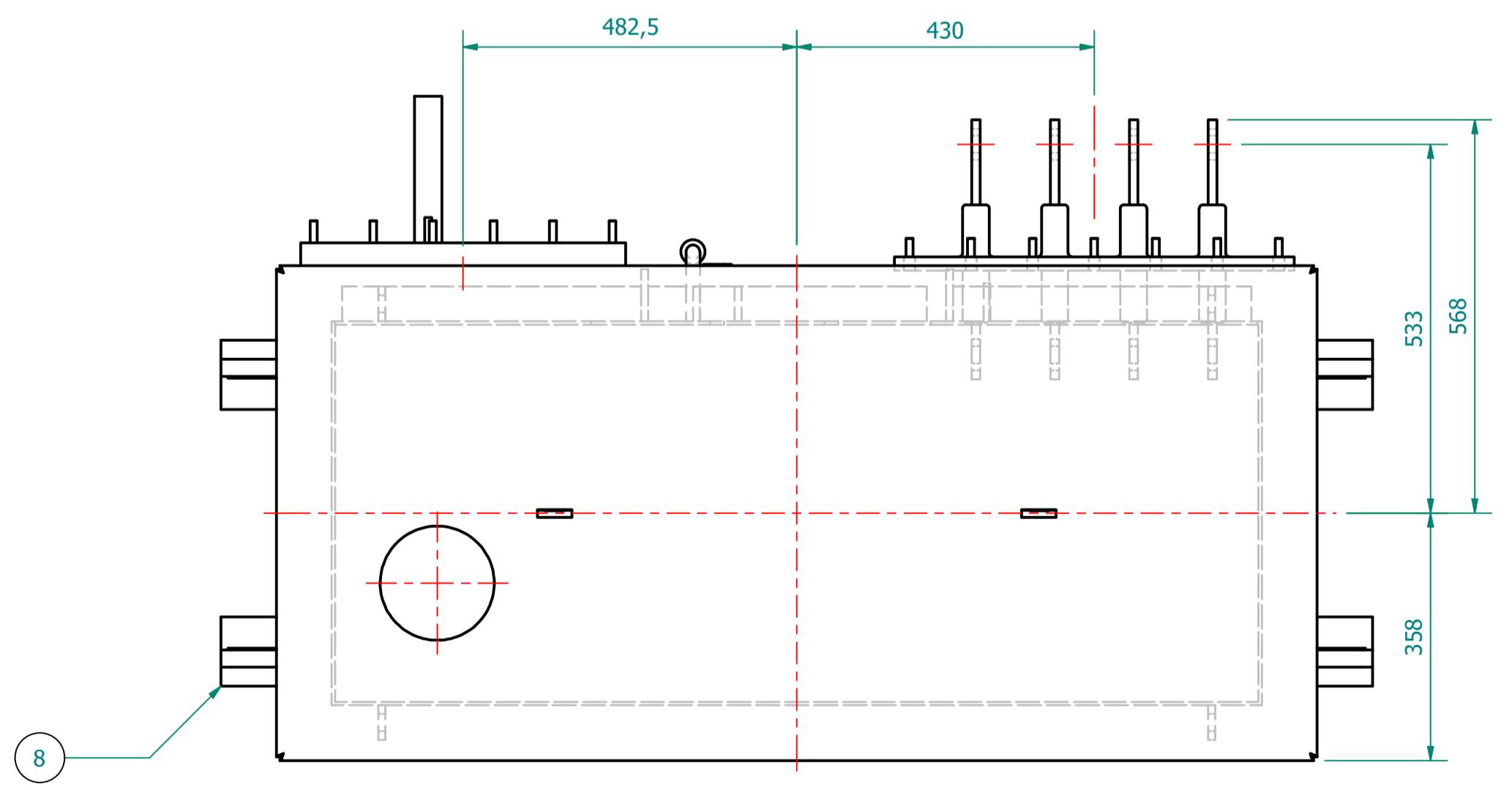


PLAN VIEW



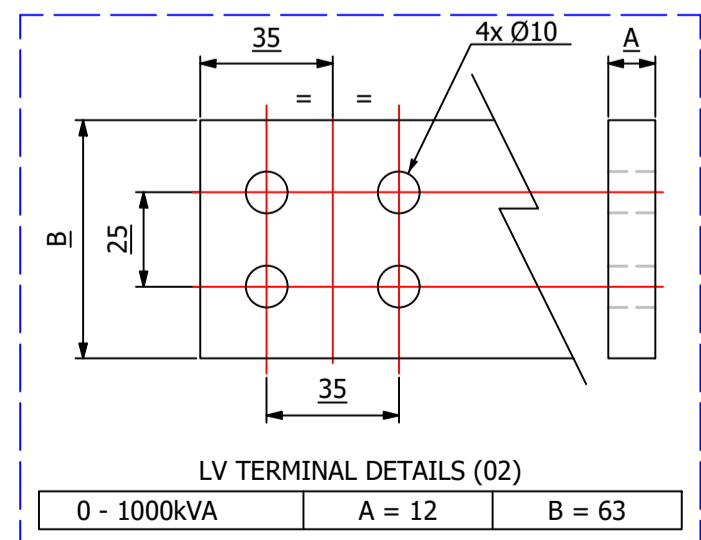
TRANSFORMER WEIGHT & VOLUME		
CORE AND WINDING	kg	1090
TANK AND FITTING	kg	575
COOLING LIQUID VOLUME	L	713
COOLING LIQUID WEIGHT	kg	585
TOTAL TX WEIGHT	kg	2250

TBA

ESSENTIAL LABELS

ITEM 7 TAP CHANGER WARNING LABEL

ITEM 4 COLD COOLANT LEVEL

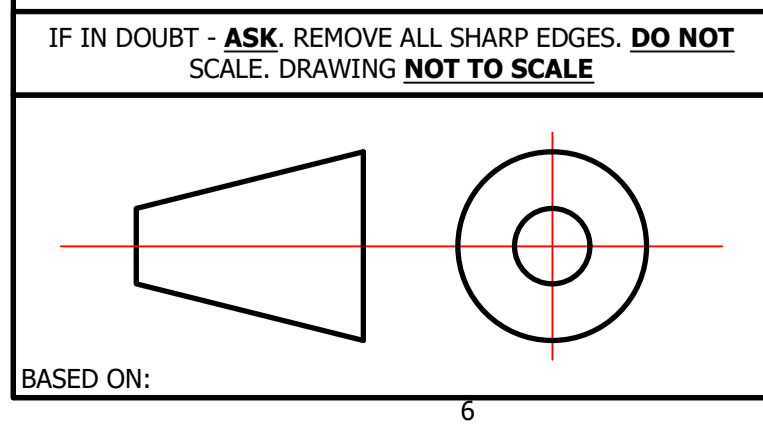


315KVA ELECTRICAL RATINGS					
No Load Voltage Ratio at Normal Tap	HV Tappings	Vector Group	Frequency	Full-Load Current at Normal Tap	
				HV Side	LV Side
11000 / 433V	+5.0 to -5.0% in 2.5% INCREMENTS	Dyn11	50Hz	16.533A	420.012A
Design Impedance at Normal Tap	No Load Losses at rated Voltage & Frequency	Full Load Losses at rated Current & at 75°C Temp.	Temp. Rise above Ambient 40°C		
			in Oil by Therm.		in Wdg. by Res.
4.75%	324W	2800W	60°C	65°C	

GENERAL NOTES

- ALL DIMENSIONS ARE IN 'mm'.
- ALL DIMENSIONS/WEIGHTS ARE SUBJECT TO ± 10% TOLERANCE.
- ELECTRONIC SCALE - 1:1 (ONLY WRITTEN DIMENSIONS TO BE FOLLOWED).
- TOLERANCE ON IMPEDANCE PER IEC:60076.
- PAINT SHADE.: RAL7033 TO ISO12944 - MIN C4 SPEC.

ITEM	QTY	DESCRIPTION
11	1	THERMOMETER POCKET (3/4" BSP MALE THREAD)
10	4	TRANSFORMER LIFTING LUGS
9	1	DRAIN VALVE (25NB) with MALE PLUG
8	4	JACKING PADS
7	1	RATING & DIAGRAM PLATE (SS)
6	1	DE-ENERGIZE TAP CHANGER (5-Position & Padlockable)
5	1	EARTHING TERMINAL (FLAT TYPE suitable for M12 Bolt)
4	1	TOP COVER with LIFTING LUGS (x2)
3	1	TRANSFORMER BASE (SKID TYPE) c/w HAULAGE HOLES
2	1	OIL FILLING PIPE WITH FLANGED COVER
1	1	OIL LEVEL GAUGE (with 15°) COLD OIL LEVEL MARK



REV	REV BY	VERIFIED	APPROVED	DESCRIPTION

REVISION DESCRIPTION	REV	PROJECT
ORIGINAL	00	

PROJECT	DRAWING TITLE
	GENERAL ARRANGEMENT DRAWING FOR T2, 315KVA AL WOUND UNIT TYPE TRANSFORMER

SUPPLIED BY: **Wilson Power Solutions Ltd.**
 Westland Square, Leeds, West Yorkshire LS11 5SS, United Kingdom
 Tel: +44 (0) 113 271 7588 Fax: +44 (0) 113 277 5124
 web: www.wilsonpowersolutions.co.uk email: info@wilsonpowersolutions.co.uk

web: www.wilsonpowersolutions.co.uk email: info@wilsonpowersolutions.co.uk

DRAWN BY: M. STOTSJUK DATE: 13/09/2021 DRG NO: WPS-T2-UKPN-315-AL-U001