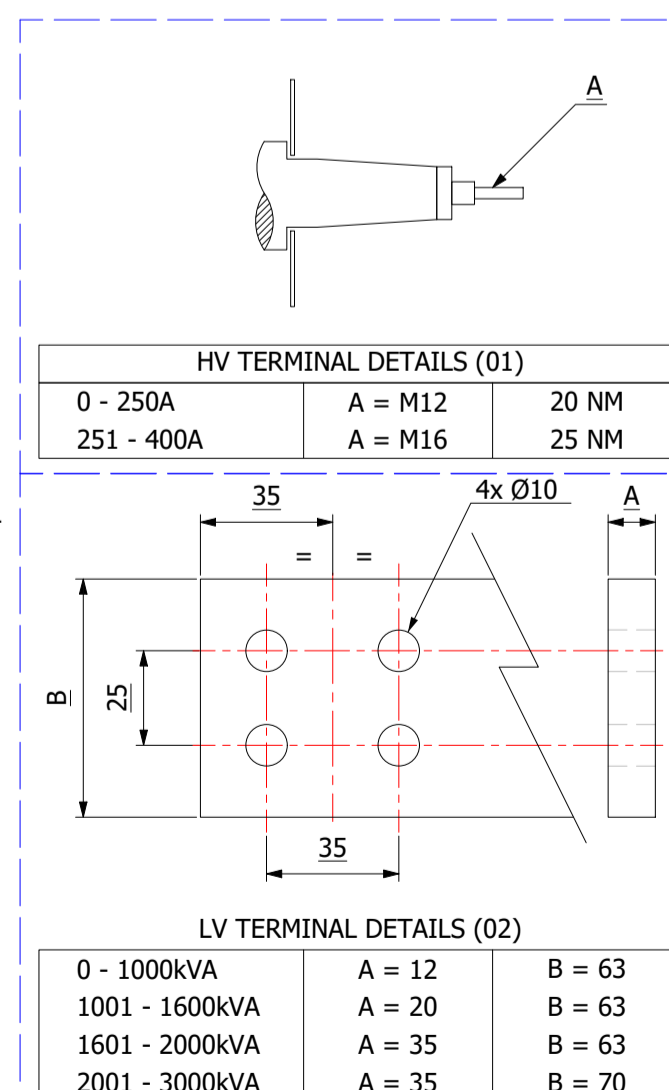


WILSON
T² ECOTRANS

TRANSFORMER WEIGHT & VOLUME		
CORE AND WINDING	kg	2800
TANK AND FITTING	kg	1420
COOLING LIQUID VOLUME	L	1110
COOLING LIQUID WEIGHT	kg	905
TOTAL TX WEIGHT	kg	5125

- ESSENTIAL LABELS**
- ITEM 10 OFF-CIRCUIT TAP CHANGER TAP CHANGER WARNING LABEL
 - ITEM 6 C.O.L. 15°C COLD COOLANT LEVEL
 - ITEM 2 LV WARNING LABEL
 - ITEM 1 HV WARNING LABEL



2000kVA ELECTRICAL RATINGS					
No Load Voltage Ratio at Normal Tap	HV Tappings	Vector Group	Frequency	Full-Load Current at Normal Tap	
11000 / 433V	+5.0 to -5.0% in 2.5% INCREMENTS	Dyn11	50Hz	HV Side	LV Side
Design Impedance at Normal Tap	No Load Losses at rated Voltage & Frequency	Full Load Losses at rated Current & at 75°C Temp.	Temp. Rise above Ambient 40°C		
6.0%	1305W	15000W	in Oil by Therm.	in Wdg. by Res.	
			60°C	65°C	

GENERAL NOTES

- ALL DIMENSIONS ARE IN 'mm'.
- ALL DIMENSIONS/WEIGHTS ARE SUBJECT TO ± 10% TOLERANCE.
- ELECTRONIC SCALE - 1:1 (ONLY WRITTEN DIMENSIONS TO BE FOLLOWED).
- TOLERANCE ON IMPEDANCE PER IEC:60076.
- PAINT SHADE.: 632 AS PER BS:381C (SEMI GLOSS) TO ISO12944 - MIN C4 SPEC.

ITEM	QTY	DESCRIPTION
15	4	DETACHABLE RADIATORS with AIR-RELEASE & DRAIN PLUG (520W x 1200C x 75 x 40P)
14	1	DRAIN VALVE (25NB) with MALE PLUG
13	4	JACKING PADS
12	1	RATING & DIAGRAM PLATE (SS)
11	4	TRANSFORMER LIFTING LUGS
10	1	OFF-CIRCUIT TAP SWITCH (5-Position & Padlockable)
9	2	THERMOMETER POCKET (3/4" BSP MALE THREAD)
8	1	OIL FILLING PIPE WITH FLANGED COVER
7	1	TOP COVER with LIFTING LUGS (x2)
6	1	OIL LEVEL GAUGE (with 15°) COLD OIL LEVEL MARK
5	1	AIR VENT PIPE (3/4") FOR DEHYDRANT BREATHER
4	2	EARTHING TERMINAL (FLAT TYPE suitable for M12 Bolt)
3	1	TRANSFORMER BASE (SKID TYPE) c/w HAULAGE HOLES & BRACING
2	1	LV CABLE BOX - 1.1kV, 4-POLE, AIR INSULATION, (FACING-'F', BS:2562) SUITABLE FOR 4 x 1c CABLES PER PHASE & N - MAX. 630mm.sq
1	1	HV CABLE BOX - 12kV, 3-POLE, HEAT-SHRINK INSULATION, (FACING-'E' BS:2562) SUITABLE FOR 1 x 3c CABLE - MAX. 185mm.sq

IF IN DOUBT - ASK. REMOVE ALL SHARP EDGES. DO NOT SCALE. DRAWING NOT TO SCALE

REV	REV BY	VERIFIED	APPROVED	DESCRIPTION	LAST REVISION	REVISION DESCRIPTION	REV	PROJECT	DRAWING TITLE	WILSON POWER SOLUTIONS Ltd.
00					ORIGINAL		00	CUSTOMER	GENERAL ARRANGEMENT DRAWING FOR 2000kVA WILSON T2 ECOTRANS 11000/433V, 50Hz, Dyn11, ONAN/KNAN AL WOUND DISTRIBUTION TRANSFORMER	Westland Square, Leeds, West Yorkshire LS11 5SS, United Kingdom Tel: +44 (0) 113 271 7588 Fax: +44 (0) 113 277 5124 web: www.wilsonpowersolutions.co.uk email: info@wilsonpowersolutions.co.uk
										WILSON POWER SOLUTIONS
										WPS-T2-2000-AL-GA