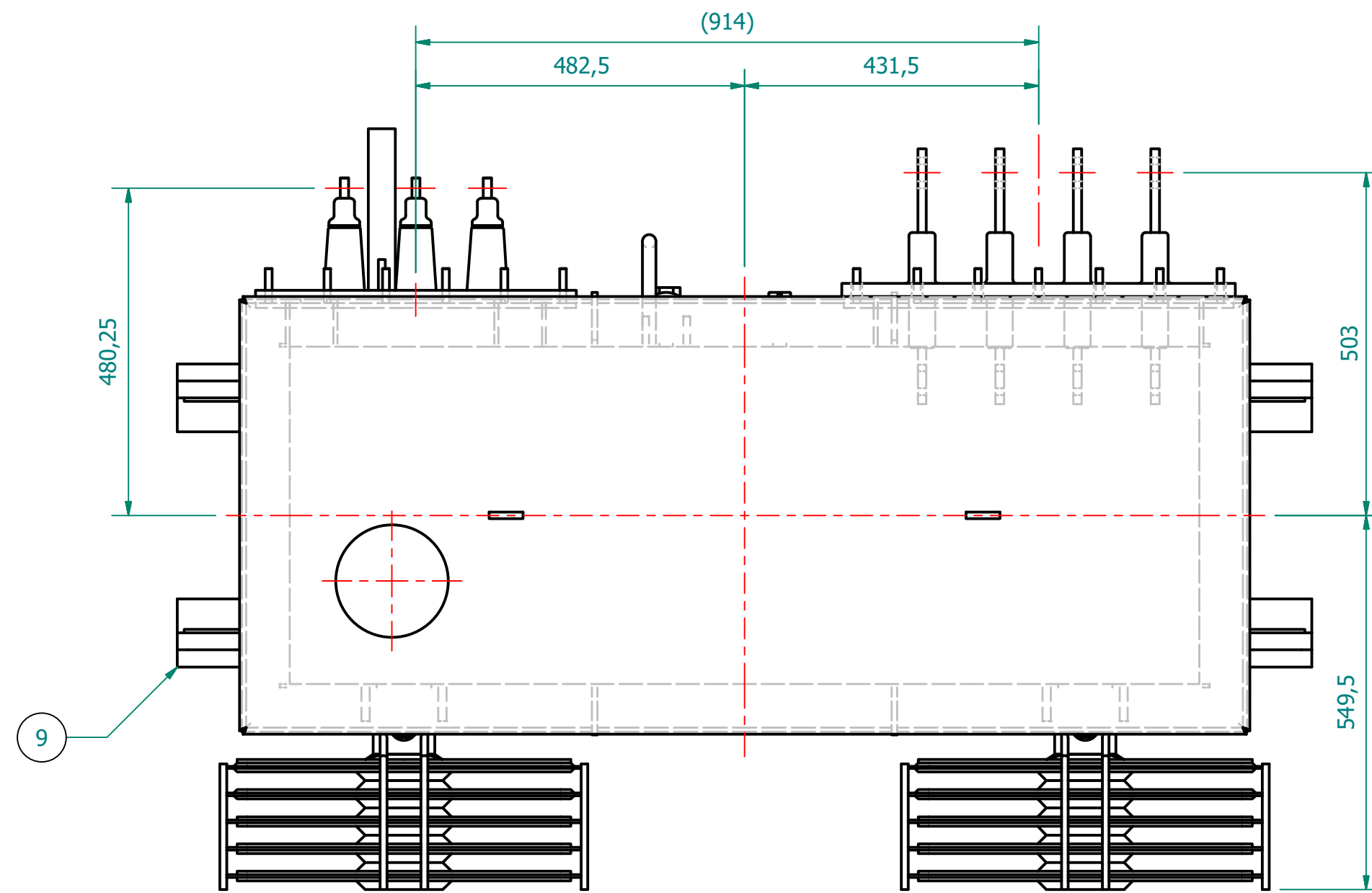
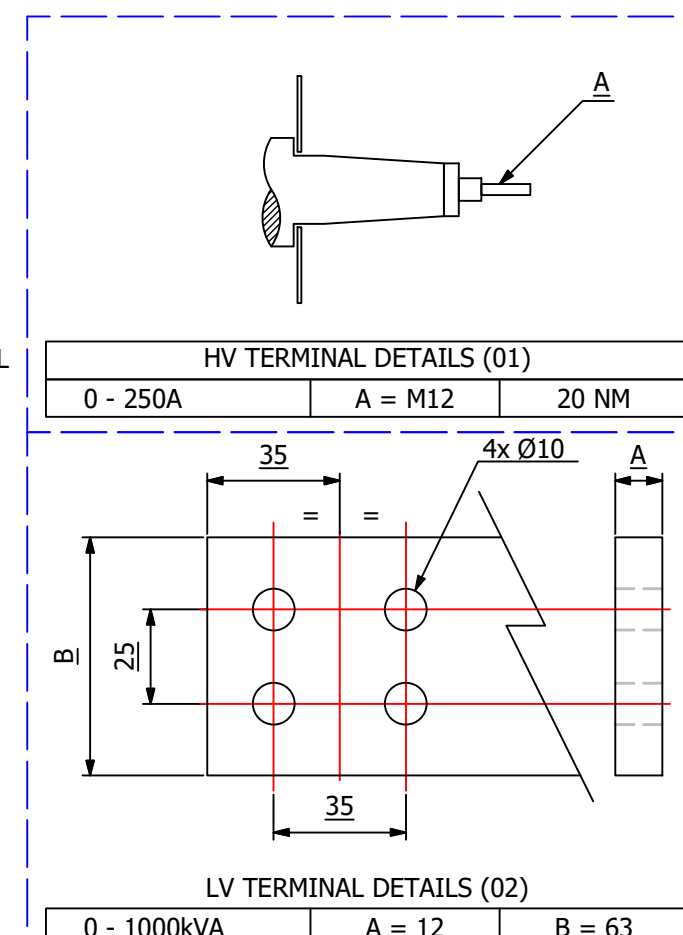
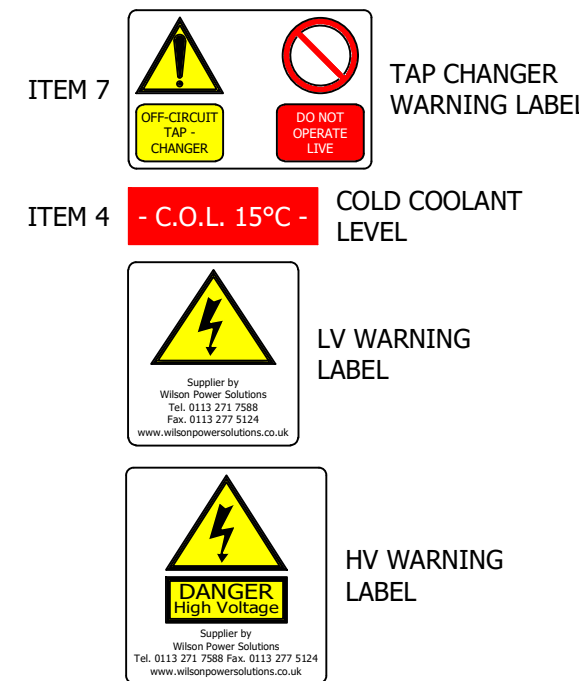


PLAN VIEW



ESSENTIAL LABELS



TOTAL MASS OF THE TRANSFORMER c/w ONAN = 2550 kg

500kVA ELECTRICAL RATINGS					
No Load Voltage Ratio at Normal Tap	HV Tappings	Vector Group	Frequency	Full-Load Current at Normal Tap	
				HV Side	LV Side
11000-6600 / 433V	+5 to -5.0% in 2.5% INCREMENTS	Dyn11	50Hz	26.2A - 43.7A	666.7A
Design Impedance at Normal Tap	No Load Losses at rated Voltage & Frequency	Full Load Losses at rated Current & at 75°C Temp.	Temp. Rise above Ambient 40°C		
			in Oil by Therm.		in Wdg. by Res.
4.75%	586W	6050W	60°C	65°C	

GENERAL NOTES

- ALL DIMENSIONS ARE IN 'mm'.
- ALL DIMENSIONS/WEIGHTS ARE SUBJECT TO ± 10% TOLERANCE.
- ELECTRONIC SCALE - 1:1 (ONLY WRITTEN DIMENSIONS TO BE FOLLOWED).
- TOLERANCE ON IMPEDANCE PER IEC:60076.
- PAINT SHADE.: 632 AS PER BS:381C (SEMI GLOSS) TO ISO12944 - MIN C4 SPEC.

ITEM	QTY	DESCRIPTION
13	1	VOLTAGE CHANGE OVER SWITCH
12	4	TRANSFORMER LIFTING LUGS
11	2	DETACHABLE RADIATORS with AIR-RELEASE & DRAIN PLUG (520W x 1200C x 5S x 40P)
10	1	DRAIN VALVE (25NB) with MALE PLUG
9	4	JACKING PADS
8	1	RATING & DIAGRAM PLATE (SS)
7	1	DE-ENERGIZE TAP CHANGER (5-Position & Padlockable)
6	1	TOP COVER with LIFTING LUGS (x2)
5	1	OIL FILLING PIPE WITH FLANGED COVER
4	1	OIL LEVEL GAUGE (with 15°) COLD OIL LEVEL MARK
3	1	FREE BREATHING DEVICE
2	1	EARTHING TERMINAL (FLAT TYPE suitable for M12 Bolt)
1	1	TRANSFORMER BASE (SKID TYPE) c/w HAULAGE HOLES

IF IN DOUBT - ASK. REMOVE ALL SHARP EDGES. DO NOT SCALE. DRAWING NOT TO SCALE

MANUFACTURED BY: **TOSHIBA TRANSFORMER**
TOSHIBA TRANSMISSION & DISTRIBUTION SYSTEMS (INDIA) PVT. LTD.

LAST DEFINITION	REV	REV BY	VERIFIED	APPROVED	ORIGINAL DESCRIPTION
00					

REVISION DESCRIPTION	REV	PROJECT
ORIGINAL	00	

REV. BY:	DATE	CUSTOMER
S. MALLETT	12-JUL-2019	
VERIFIED:		S.O. NUMBER
APPROVED:		P.O. NUMBER
		W.O. NUMBER

PROJECT	DRAWING TITLE
	GENERAL ARRANGEMENT DRAWING FOR 500kVA 11000-6600/433V, 50Hz, Dyn11, ONAN AL WOUND UNIT TYPE TRANSFORMER

Wilson Power Solutions Ltd.
Westland Square, Leeds, West Yorkshire LS11 5SS, United Kingdom
Tel: +44 (0) 113 271 7588 Fax: +44 (0) 113 277 5124
web: www.wilsonpowersolutions.co.uk email: info@wilsonpowersolutions.co.uk

DRAWN BY: S. MALLETT DATE: 12/07/2019 DRG NO: **WPS-SP-500-AL-U001**