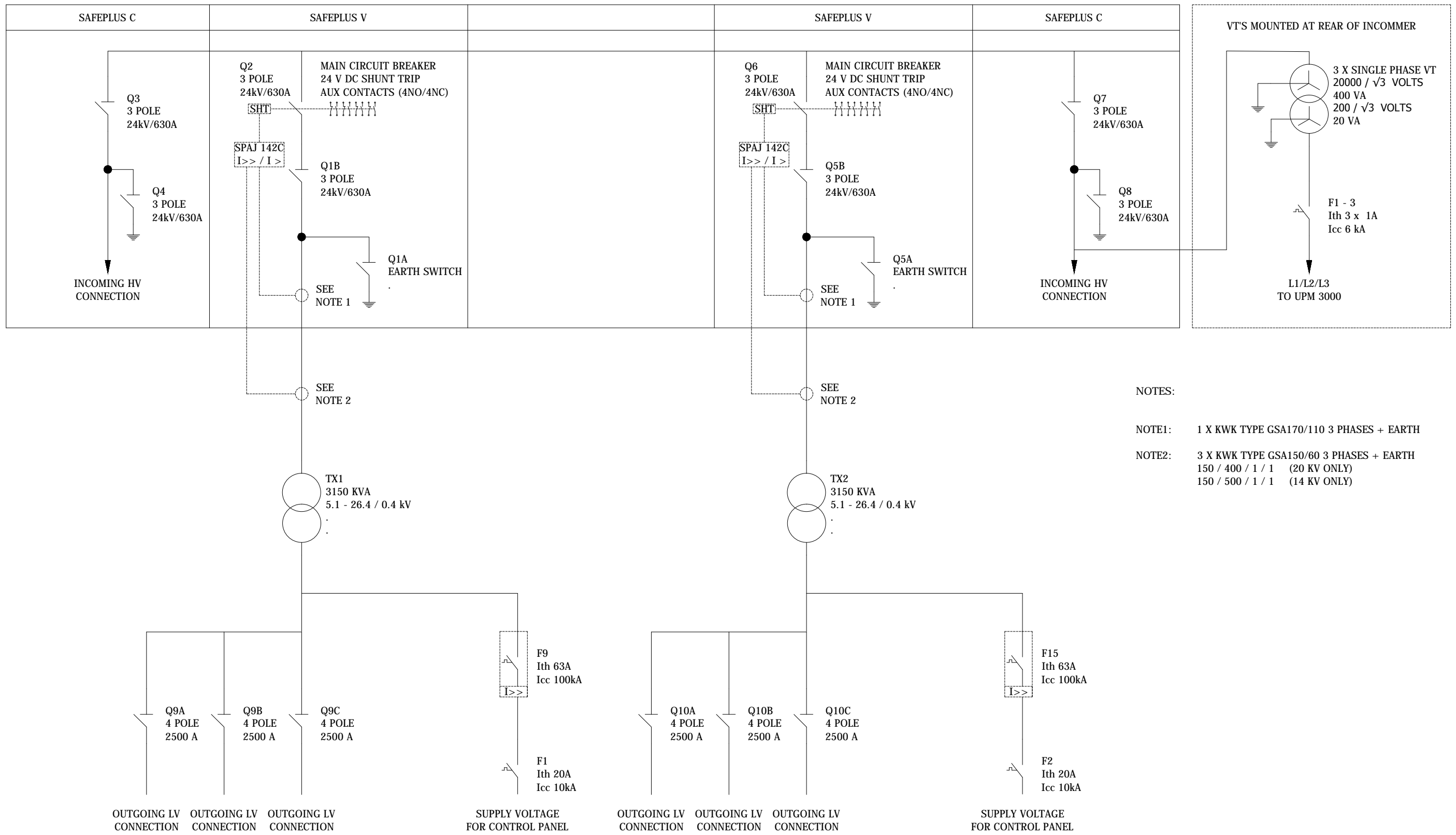


W/O No :.



NOTES:

NOTE1: 1 X KWK TYPE GSA170/110 3 PHASES + EARTH

NOTE2: 3 X KWK TYPE GSA150/60 3 PHASES + EARTH
 150 / 400 / 1 / 1 (20 KV ONLY)
 150 / 500 / 1 / 1 (14 KV ONLY)

SHEET 1 OF 1

REV	REV BY	VERIFIED	APPROVED	DESCRIPTION

REVISION DESCRIPTION	REV:	PROJECT TITLE
ORIGINAL	00	

DATE:	CUSTOMER	S.O. NUMBER	P.O. NUMBER
23-NOV-18			
26-NOV-18			
26-NOV-18			

DRAWING TITLE
SINGLE LINE DRAWING FOR 6300 KVA CONTAINERISED SUBSTATION H203, H206

	Wilson Power Solutions Ltd. Westland Square, Leeds, West Yorkshire LS11 5SS, United Kingdom Tel: +44 (0) 113 271 7588 Fax: +44 (0) 113 277 5124 web: www.wilsonpowersolutions.co.uk email: info@wilsonpowersolutions.co.uk	
	DRAWN BY: S CLARKE DATE DRAWN: 23-NOV-18	DWG. No: WPS-HIRE-SC-002