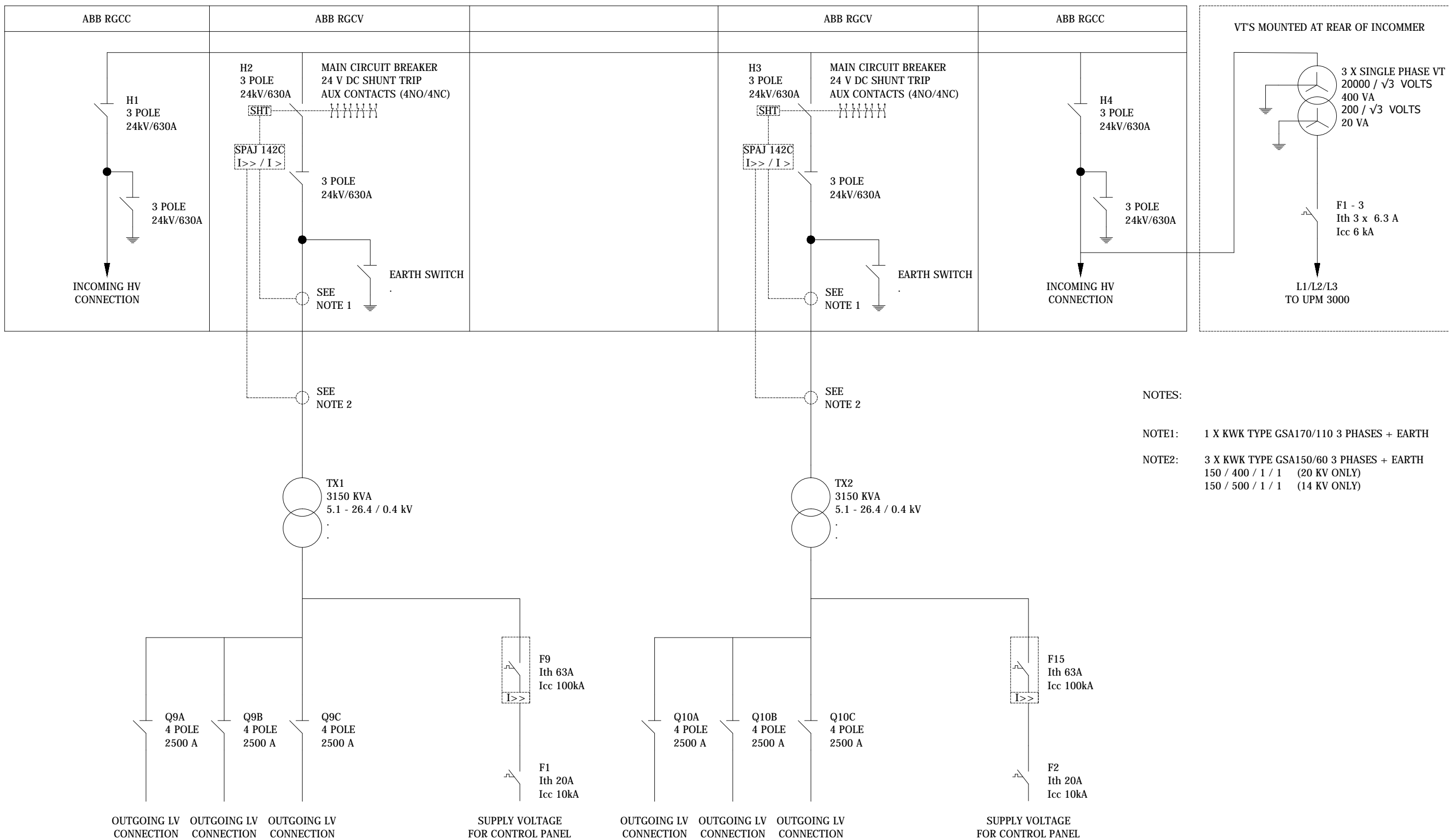


W/O No :.



- NOTES:
- NOTE1: 1 X KWK TYPE GSA170/110 3 PHASES + EARTH
- NOTE2: 3 X KWK TYPE GSA150/60 3 PHASES + EARTH
 150 / 400 / 1 / 1 (20 KV ONLY)
 150 / 500 / 1 / 1 (14 KV ONLY)

SHEET 1 OF 1

REVISION HISTORY		REVISION DESCRIPTION		REV: 01	PROJECT TITLE	DRAWING TITLE		WILSON POWER SOLUTIONS		Wilson Power Solutions Ltd.	
00	S CLARKE	F MEHMOOD	S MALLETT	REMOVED H206 HV SW DETAIL AMMENDED	DATE: 01-MAY-19	SINGLE LINE DRAWING FOR 6300 KVA CONTAINERISED SUBSTATION H203		Westland Square, Leeds. West Yorkshire LS11 5SS, United Kingdom		Tel: +44 (0) 113 271 7588 Fax: +44 (0) 113 277 5124 email: info@wilsonpowersolutions.co.uk	
REV	REV BY	VERIFIED	APPROVED	DESCRIPTION	REV BY: S CLARKE	CUSTOMER	DRAWN BY: S CLARKE	DATE DRAWN: 23-NOV-18	DWG. No.	WPS-HIRE-SC-002	
1					VERIFIED:	S.O. NUMBER				WPD02 REV 0 25-NOV-14	
					APPROVED:	P.O. NUMBER					