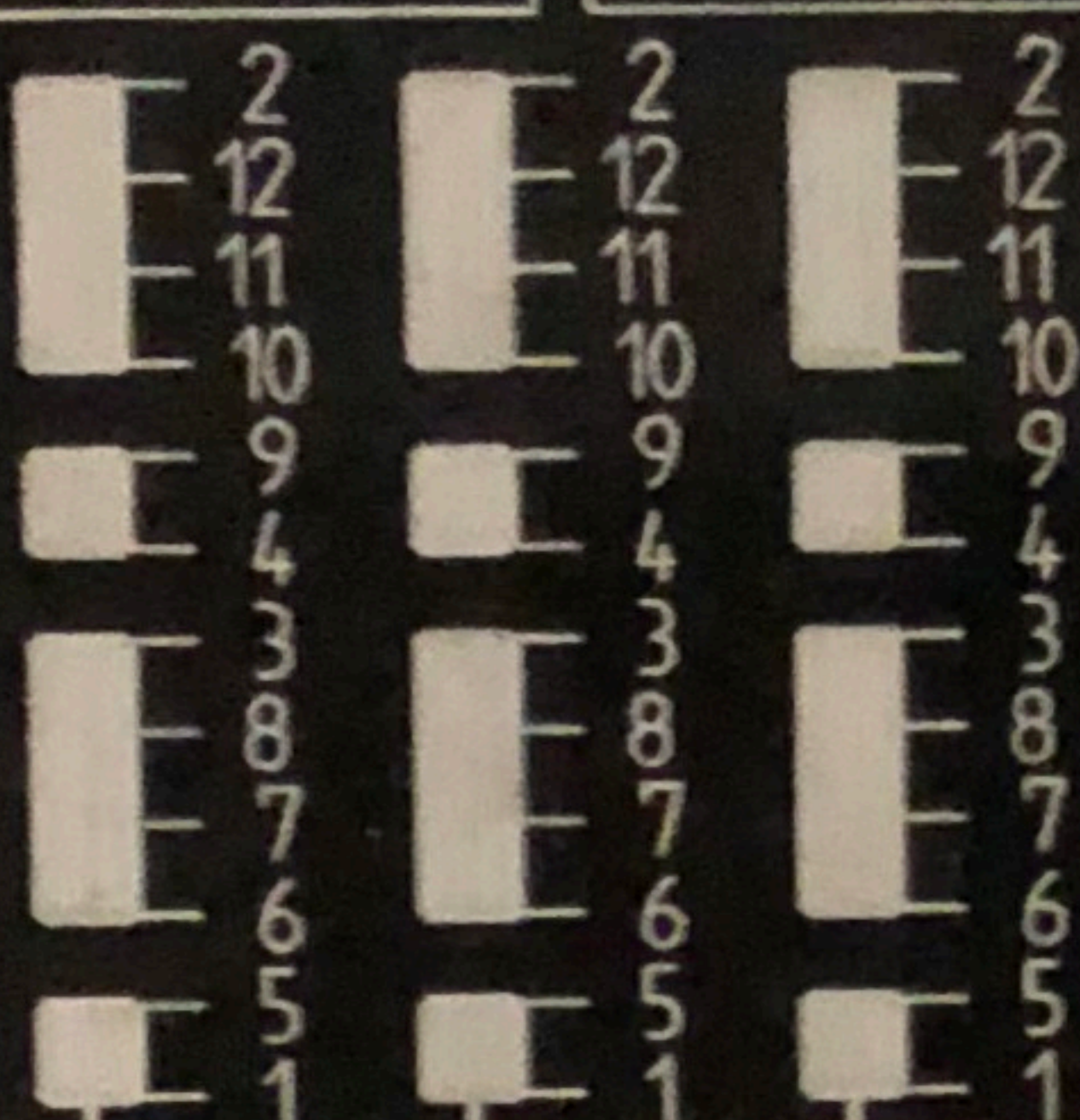


ABB TRAF0-BB

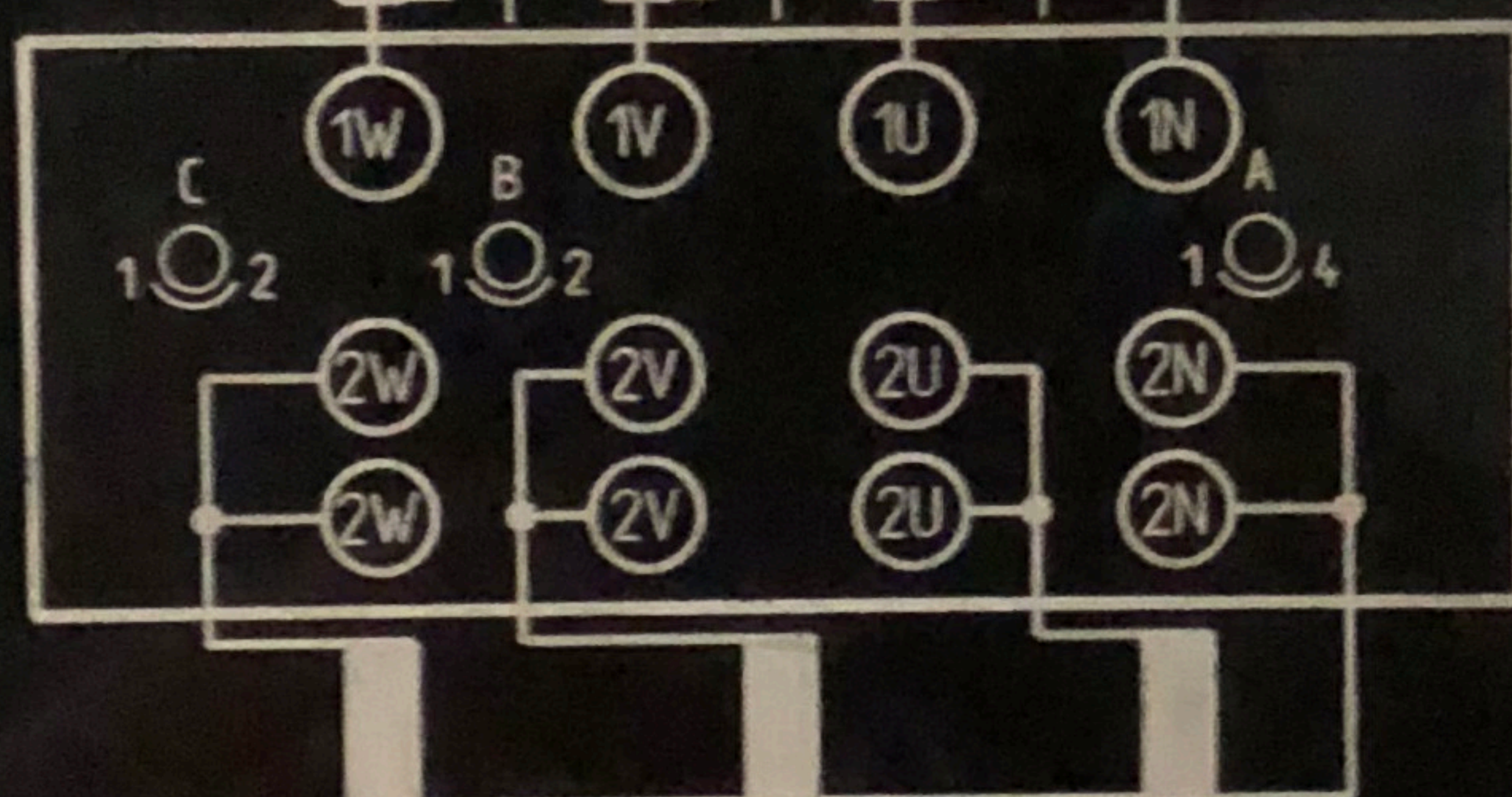
Type: **OHKAX** Ser. No. **16299 0089 /6** Year of manuf. **1999** VDE **0532**
 Rating: **3150** kVA¹⁾ Rated frequency: **see table** Hz
 Rated voltage: **see table** V Vector group: **see table**
 Rated current: **see table** A Type of cooling: **ONAN**
 Impedance voltage: **see table** % Ambient temperature: **40** °C
 Um: **24 / 1,1** kV Insulation level: **LI 125 AC 50 / AC 3**
 Duration of short-circ. max. s: **2** Symm. short-circ. curr. kA: **see table**
 Oil weight: **1800** kg Insulation liquide: **Oil**
 Total weight: **7260** kg

High voltage



1) Rating 2500 kVA at 15 kV

*) unused bushing covered with dead end receptacle



Tap changer only for de-energized operation

Parallel L.V. bushings loaded symmetrically

Low voltage

		High voltage										Low voltage					
Conn. at	Conn. group	Volts at		Amps at		Tap changer					Imped. % at		Volts	Amps	Conn. at		
		50 Hz	60 Hz	50 Hz	60 Hz	Pos.	A Conn.	Pos.	B Conn.	Pos.	C Conn.	50 Hz				60 Hz	
1U 1V 1W	YNyn0 ¹⁾	22000	26400	82,7	68,9	1	6-5; 10-9	1	3 - 4	1	1U2	*)	6,5	5,4	400 at 50 Hz	4547 at 50 Hz	2U 2V
		20000	24000	90,9	75,8	2	5-7; 9-11										
		18000	21600	101,0	84,2	3	7-1; 11-4										
		15000		96,2		4	1-8; 4-12										
		11000	13200	165,3	137,8	1	6-5; 10-9	2	1-4; 3-2	1W2	6,5	5,4					
		10000	12000	181,9	151,6	2	5-7; 9-11										
	9000	10800	202,1	168,4	3	7-1; 11-4											
	Dyyn11	12702	15242	143,2	119,3	1	6-5; 10-9	1	3 - 4	2	1U1-1W2	6,5	5,4	480 at 60 Hz	3789 at 60 Hz	2W	
		11547	13856	157,5	131,2	2	5-7; 9-11										
		10392	12471	175,0	145,8	3	7-1; 11-4										
		6351	7621	286,4	238,6	1	6-5; 10-9										
		5774	6928	315,0	262,5	2	5-7; 9-11	2	1-4; 3-2	1W1-1V2	6,4	5,4					
		5196	6235	350,0	291,7	3	7-1; 11-4										

Country of origin: Germany
XAL 100 111 - 169

