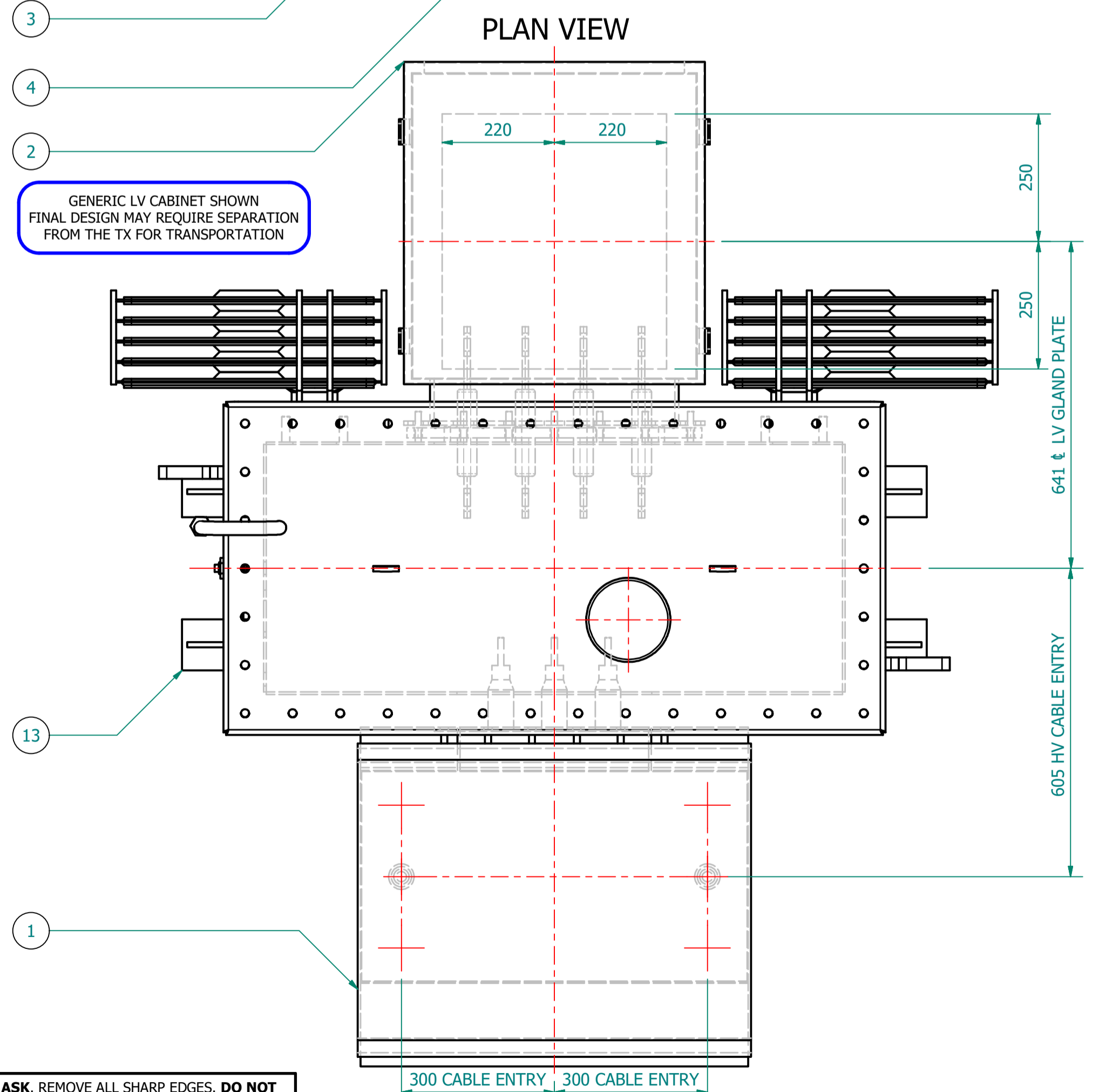
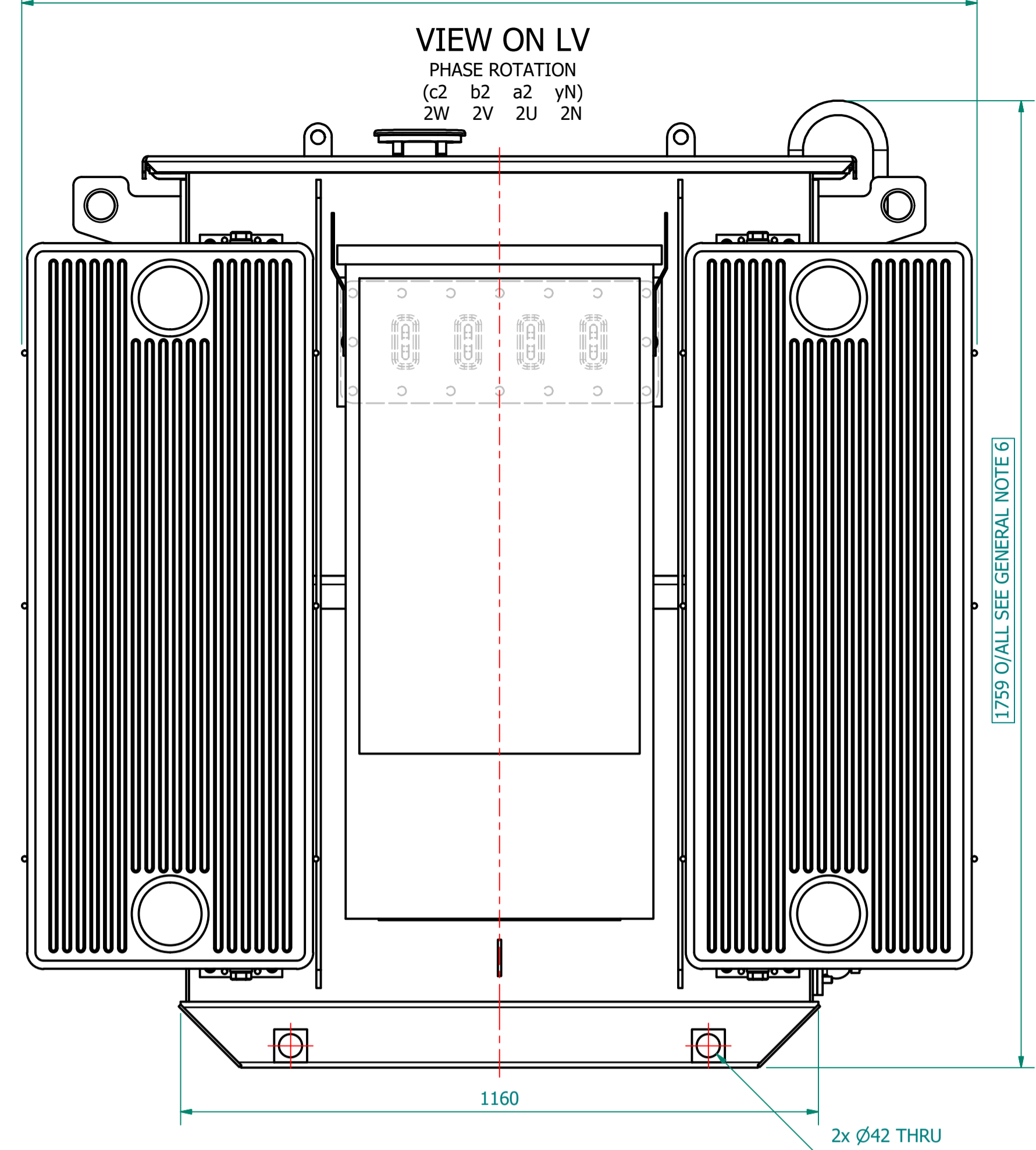
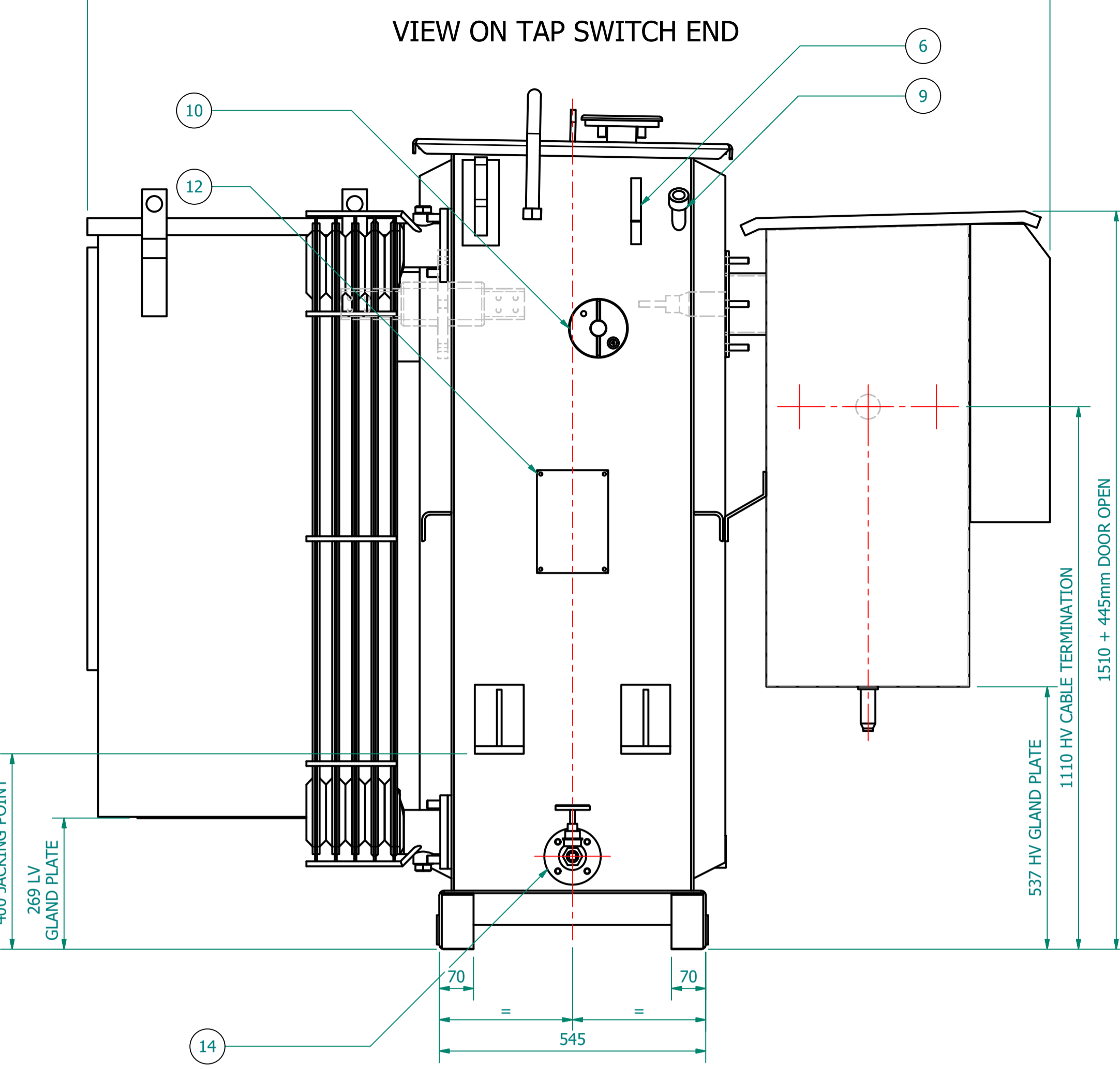
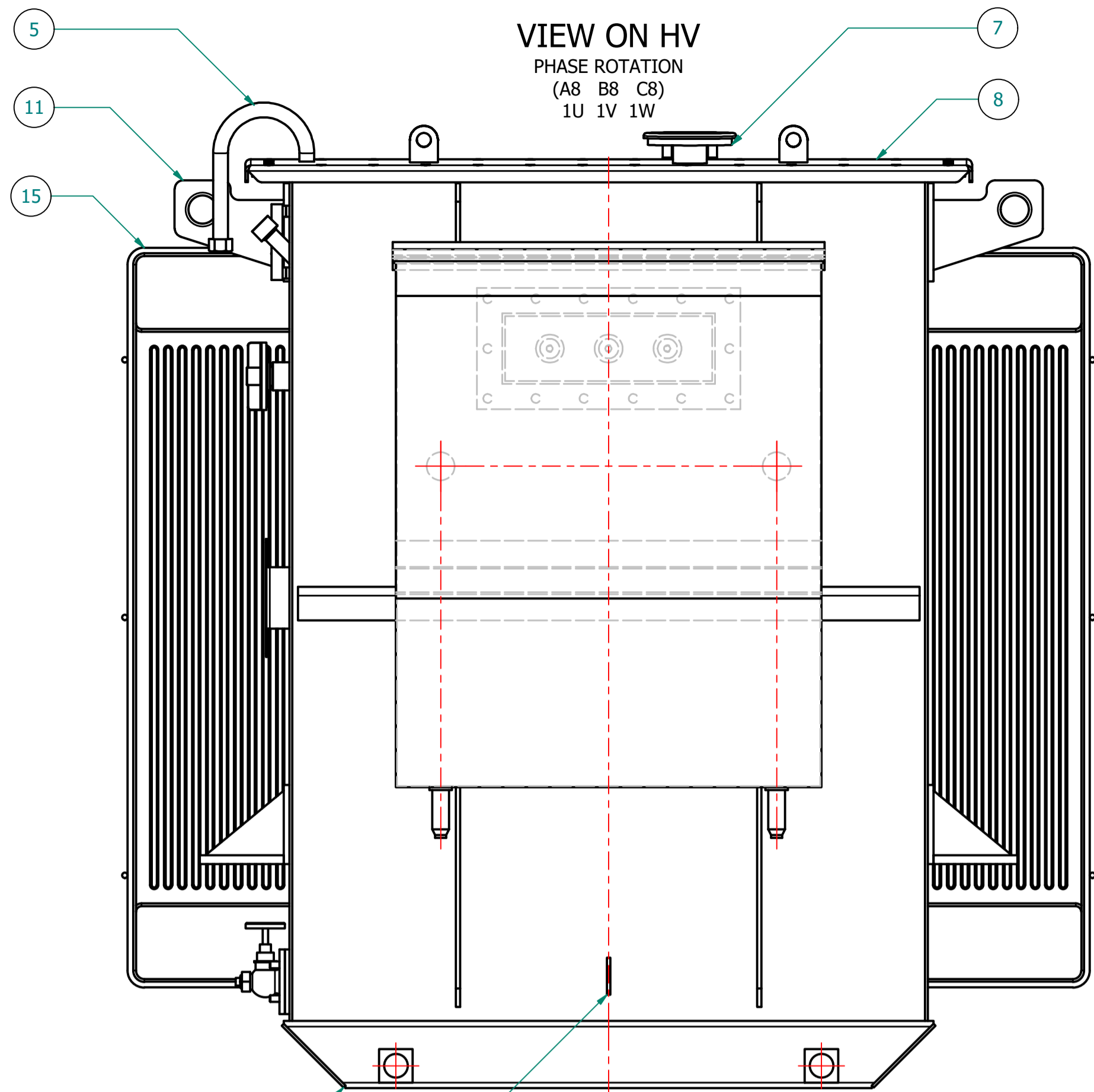


[1969 O/ALL SEE GENERAL NOTE 6]

[1738 O/ALL]



GENERIC LV CABINET SHOWN FINAL DESIGN MAY REQUIRE SEPARATION FROM THE TX FOR TRANSPORTATION



TRANSFORMER WEIGHT & VOLUME		
CORE AND WINDING	kg	1080
TANK AND FITTING	kg	670
COOLING LIQUID VOLUME	L	550
COOLING LIQUID WEIGHT	kg	450
TOTAL TX WEIGHT	kg	2200
ADDITIONS TO THE TRANSFORMER WEIGHT		
RN2c RMU WEIGHT	kg	500
LV CABINET WEIGHT	kg	

500kVA		ELECTRICAL RATINGS			
No Load Voltage Ratio at Normal Tap	HV Tappings	Vector Group	Frequency	Full-Load Current at Normal Tap	
11000 / 415V	+7.5 to -5.0% in 2.5% INCREMENTS	Dyn11	50Hz	HV Side	LV Side
Design Impedance at Normal Tap	No Load Losses at rated Voltage & Frequency	Full Load Losses at rated Current & at 75°C Temp.	Temp. Rise above Ambient 40°C		
4.75%	510W	5500W	in Oil by Therm.	in Wdg. by Res.	
			60°C	65°C	

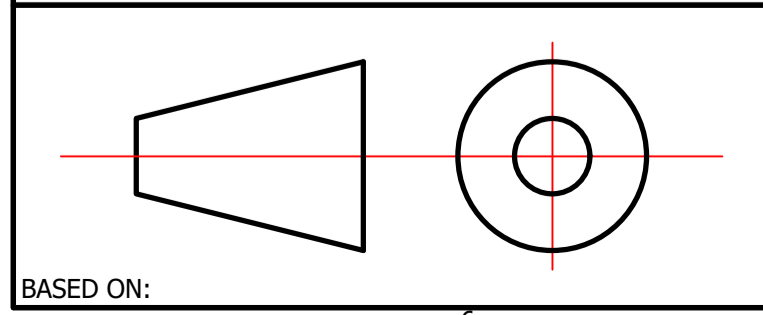
- GENERAL NOTES**
- ALL DIMENSIONS ARE IN 'mm'.
  - ALL DIMENSIONS/WEIGHTS ARE SUBJECT TO ± 10% TOLERANCE.
  - ELECTRONIC SCALE - 1:1 (ONLY WRITTEN DIMENSIONS TO BE FOLLOWED).
  - TOLERANCE ON IMPEDANCE PER IEC:60076.
  - PAINT SHADE.: 632 AS PER BS:381C (SEMI GLOSS) TO ISO12944 - MIN C4 SPEC.
  - O/ALL DIM IS SUBJECT TO EQUIPMENT DOOR OPENING DISTANCES.

ITEM	QTY	DESCRIPTION
15	2	DETACHABLE RADIATORS with AIR-RELEASE & DRAIN PLUG (520W x 1200C x 5S x 40P)
14	1	DRAIN VALVE (25NB) with MALE PLUG
13	4	JACKING PADS
12	1	RATING & DIAGRAM PLATE (SS)
11	2	TRANSFORMER LIFTING LUGS
10	1	OFF-CIRCUIT TAP SWITCH (6-Position & Padlockable)
9	1	THERMOMETER POCKET (3/4" BSP MALE THREAD)
8	1	TOP COVER with LIFTING LUGS (x2)
7	1	OIL FILLING PIPE WITH FLANGED COVER
6	1	OIL LEVEL GAUGE (with 15°) COLD OIL LEVEL MARK
5	1	AIR VENT PIPE (3/4") FOR DEHYDRANT BREATHER
4	2	EARTHING TERMINAL (FLAT TYPE suitable for M12 Bolt)
3	1	TRANSFORMER BASE (SKID TYPE) c/w HAULAGE HOLES
2	1	LV CABINET, BOTTOM ENTRY, GENERIC MODEL - SUBJECT TO CHANGE (FACING-'F', BS:2562)
1	1	HV RMU - 11kV, 200A, GCB, 630A BUS [Schneider RN2c-Tx/21] x PROTECTION, (FACING-'E' BS:2526)

ESSENTIAL LABELS

- ITEM 10 OFF-CIRCUIT TAP SWITCHER TAP CHANGER WARNING LABEL
- ITEM 6 -C.O.L. 15°C- COLD COOLANT LEVEL
- ITEM 2 LV WARNING LABEL
- ITEM 1 HV WARNING LABEL

IF IN DOUBT - ASK. REMOVE ALL SHARP EDGES. DO NOT SCALE. DRAWING NOT TO SCALE



REV	DESCRIPTION	DATE
00	ASHWINI	08-NOV-2016
01	H. MALEPATI	10-MAR-2017
02	H. MALEPATI	10-MAR-2017

REVISION DESCRIPTION	REV	PROJECT
RE-DRAWN IN INVENTOR	01	

REV	DATE	PROJECT
01	08-NOV-2016	
	10-MAR-2017	
	10-MAR-2017	

CUSTOMER	S.O. NUMBER	P.O. NUMBER	W.O. NUMBER

DRAWING TITLE  
 GENERAL ARRANGEMENT DRAWING FOR  
 500kVA WILSON e1 ECOTRANS  
 11000/415V, 50Hz, Dyn11, ONAN/KNAN  
 AL WOUND DISTRIBUTION TRANSFORMER  
 LV CABINET & RN2c

**Wilson Power Solutions Ltd.**  
 Westland Square, Leeds,  
 West Yorkshire LS11 5SS, United Kingdom  
 Tel: +44 (0) 113 271 7588  
 Fax: +44 (0) 113 277 5124  
 web: www.wilsonpowersolutions.co.uk email: info@wilsonpowersolutions.co.uk

DATE: 24/08/2016  
 DRG NO: