

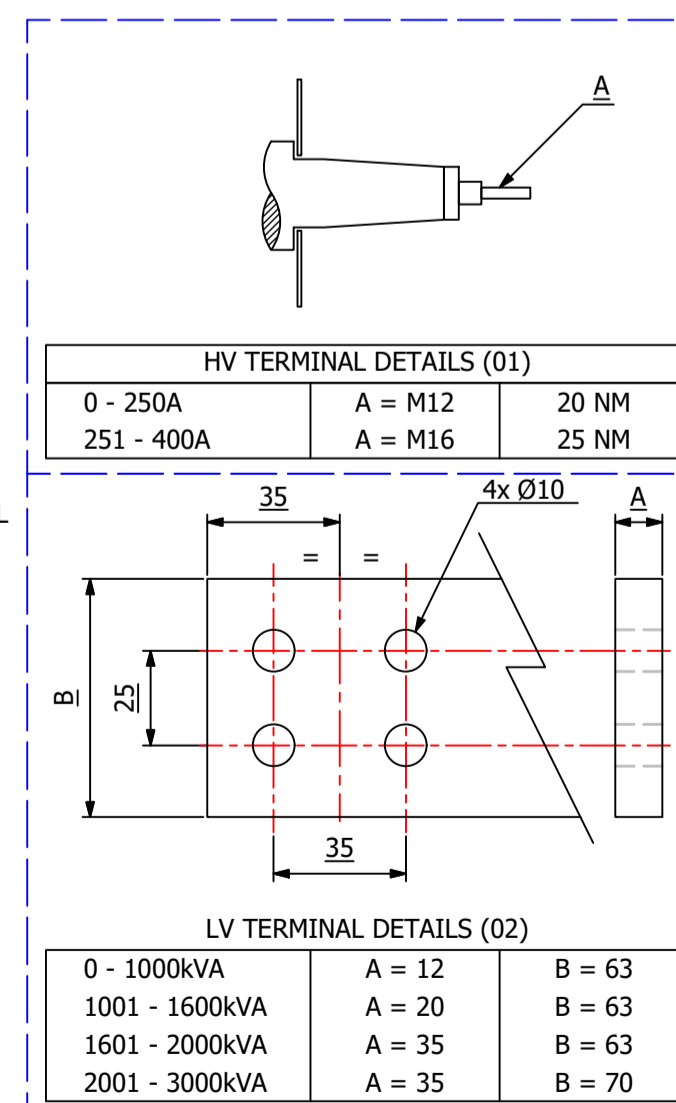
TRANSFORMER WEIGHT & VOLUME		
CORE AND WINDING	kg	2360
TANK AND FITTING	kg	1130
COOLING LIQUID VOLUME	L	995
COOLING LIQUID WEIGHT	kg	810
TOTAL TX WEIGHT	kg	4300

WILSON
e'ECOTRANS

1600kVA		ELECTRICAL RATINGS			
No Load Voltage Ratio at Normal Tap	HV Tappings	Vector Group	Frequency	Full-Load Current at Normal Tap	
11000 / 415V	+7.5 to -5.0% in 2.5% INCREMENTS	Dyn11	50Hz	HV Side	LV Side
Design Impedance at Normal Tap	No Load Losses at rated Voltage & Frequency	Full Load Losses at rated Current & at 75°C Temp.	Temp. Rise above Ambient 40°C		
5.5%	1200W	14000W	60°C	in Oil by Therm. in Wdg. by Res.	
GENERAL NOTES 1 ALL DIMENSIONS ARE IN 'mm'. 2 ALL DIMENSIONS/WEIGHTS ARE SUBJECT TO ± 10% TOLERANCE. 3 ELECTRONIC SCALE - 1:1 (ONLY WRITTEN DIMENSIONS TO BE FOLLOWED). 4 TOLERANCE ON IMPEDANCE PER IEC:60076. 5 PAINT SHADE.: 632 AS PER BS:381C (SEMI GLOSS) TO ISO12944 - MIN C4 SPEC.					
6					
7					
8					
9					

ESSENTIAL LABELS

- ITEM 10 OFF-CIRCUIT TAP CHANGER TAP CHANGER WARNING LABEL
- ITEM 6 C.O.L. 15°C COLD COOLANT LEVEL
- ITEM 2 LV WARNING LABEL
- ITEM 1 HV WARNING LABEL



ITEM	QTY	DESCRIPTION
15	4	DETACHABLE RADIATORS with AIR-RELEASE & DRAIN PLUG (520W x 1200C x 75 x 40P)
14	1	DRAIN VALVE (25NB) with MALE PLUG
13	4	JACKING PADS
12	1	RATING & DIAGRAM PLATE (SS)
11	2	TRANSFORMER LIFTING LUGS
10	1	OFF-CIRCUIT TAP SWITCH (6-Position & Padlockable)
9	2	THERMOMETER POCKET (3/4" BSP MALE THREAD)
8	1	TOP COVER with LIFTING LUGS (x2)
7	1	OIL FILLING PIPE WITH FLANGED COVER
6	1	OIL LEVEL GAUGE (with 15°) COLD OIL LEVEL MARK
5	1	AIR VENT PIPE (3/4") FOR DEHYDRANT BREATHER
4	2	EARTHING TERMINAL (FLAT TYPE suitable for M12 Bolt)
3	1	TRANSFORMER BASE (SKID TYPE) c/w HAULAGE HOLES & BRACING
2	1	LV CABLE BOX - 1.1kV, 4-POLE, AIR INSULATION, (FACING-'F', BS:2562) SUITABLE FOR 3 x 1c CABLES PER PHASE & N - MAX. 630mm.sq
1	1	HV CABLE BOX - 12kV, 3-POLE, HEAT-SHRINK INSULATION, (FACING-'E' BS:2562) SUITABLE FOR 1 x 3c CABLE - MAX. 185mm.sq

IF IN DOUBT - ASK. REMOVE ALL SHARP EDGES. DO NOT SCALE. DRAWING NOT TO SCALE

REV	REV BY	REV BY	REV BY	DESCRIPTION
01	ASHWINI	H. MALEPATI	H. MALEPATI	RATING PLATE & HORIZONTAL STIFFENERS POSN MODIFIED. FROM: 2134902
00	ASHWINI	H. MALEPATI	M. GREEN	ORIGINAL DESCRIPTION

REVISION	DESCRIPTION	REV	DATE
02	RE-DRAWN IN INVENTOR	02	08-NOV-2016

PROJECT	CUSTOMER	S.O. NUMBER	P.O. NUMBER	W.O. NUMBER
1600kVA	WILSON e1 ECOTRANS	11000/415V, 50Hz, Dyn11, ONAN/KNAN		

DRAWING TITLE
GENERAL ARRANGEMENT DRAWING FOR 1600kVA WILSON e1 ECOTRANS 11000/415V, 50Hz, Dyn11, ONAN/KNAN AL WOUND DISTRIBUTION TRANSFORMER

Wilson Power Solutions Ltd.
Westland Square, Leeds,
West Yorkshire LS11 5SS, United Kingdom
Tel: +44 (0) 113 271 7588
Fax: +44 (0) 113 277 5124
web: www.wilsonpowersolutions.co.uk email: info@wilsonpowersolutions.co.uk

WILSON POWER SOLUTIONS

web: www.wilsonpowersolutions.co.uk email: info@wilsonpowersolutions.co.uk

DRAWN BY: S. MALLETT DATE: 24/08/2016 DRG NO: WPS-1600-AL-GA