

TRANSFORMER WEIGHT & VOLUME		
CORE AND WINDING	kg	1500
TANK AND FITTING	kg	850
COOLING LIQUID VOLUME	L	650
COOLING LIQUID WEIGHT	kg	530
TOTAL TX WEIGHT	kg	2880

WILSON
e'ECOTRANS

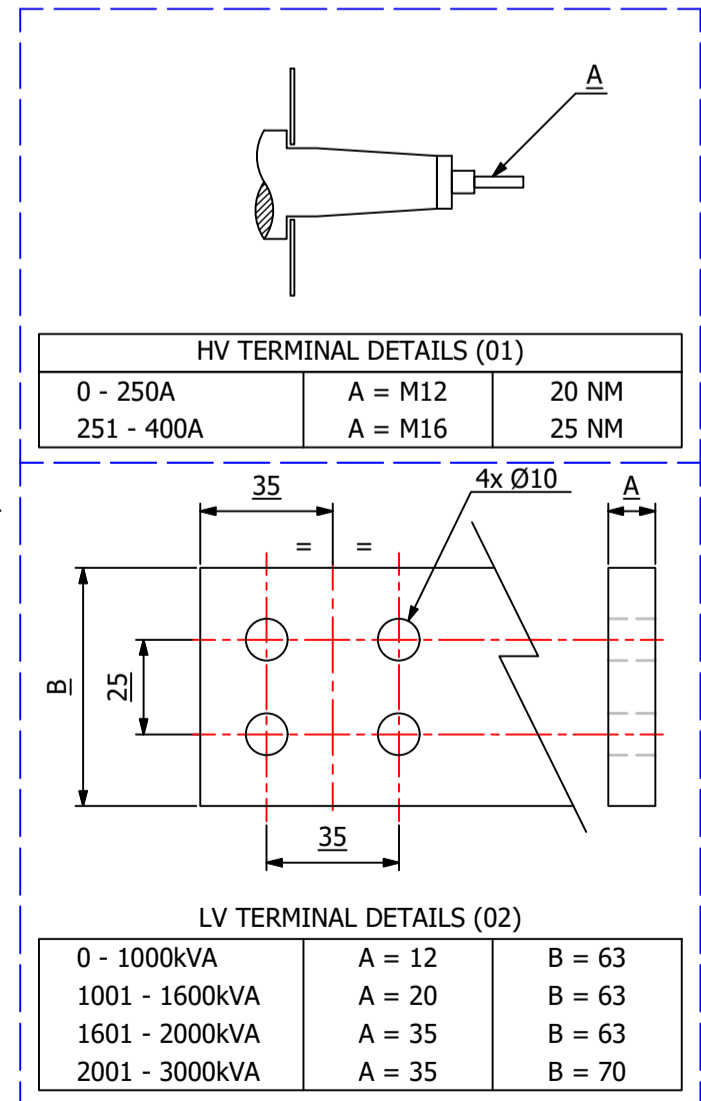
1000kVA ELECTRICAL RATINGS					
No Load Voltage Ratio at Normal Tap	HV Tappings	Vector Group	Frequency	Full-Load Current at Normal Tap	
11000 / 415V	+7.5 to -5.0% in 2.5% INCREMENTS	Dyn11	50Hz	HV Side	LV Side
Design Impedance at Normal Tap	No Load Losses at rated Voltage & Frequency	Full Load Losses at rated Current & at 75°C Temp.	Temp. Rise above Ambient 40°C	in Oil by Therm.	in Wdg. by Res.
4.75%	770W	10500W	60°C	65°C	

GENERAL NOTES

- ALL DIMENSIONS ARE IN 'mm'.
- ALL DIMENSIONS/WEIGHTS ARE SUBJECT TO ± 10% TOLERANCE.
- ELECTRONIC SCALE - 1:1 (ONLY WRITTEN DIMENSIONS TO BE FOLLOWED).
- TOLERANCE ON IMPEDANCE PER IEC:60076.
- PAINT SHADE.: 632 AS PER BS:381C (SEMI GLOSS) TO ISO12944 - MIN C4 SPEC.

ESSENTIAL LABELS

- ITEM 10: TAP CHANGER WARNING LABEL
- ITEM 6: COLD COOLANT LEVEL - C.O.L. 15°C
- ITEM 2: LV WARNING LABEL
- ITEM 1: HV WARNING LABEL



ITEM	QTY	DESCRIPTION
15	4	DETACHABLE RADIATORS with AIR-RELEASE & DRAIN PLUG (520W x 1200C x 55 x 40P)
14	1	DRAIN VALVE (25NB) with MALE PLUG
13	4	JACKING PADS
12	1	RATING & DIAGRAM PLATE (SS)
11	2	TRANSFORMER LIFTING LUGS
10	1	OFF-CIRCUIT TAP SWITCH (6-Position & Padlockable)
9	2	THERMOMETER POCKET (3/4" BSP MALE THREAD)
8	1	TOP COVER with LIFTING LUGS (x2)
7	1	OIL FILLING PIPE WITH FLANGED COVER
6	1	OIL LEVEL GAUGE (with 15°) COLD OIL LEVEL MARK
5	1	AIR VENT PIPE (3/4") FOR DEHYDRANT BREATHER
4	2	EARTHING TERMINAL (FLAT TYPE suitable for M12 Bolt)
3	1	TRANSFORMER BASE (SKID TYPE) c/w HAULAGE HOLES & BRACING
2	1	LV CABLE BOX - 1.1kV, 4-POLE, AIR INSULATION, (FACING-'F', BS:2562) SUITABLE FOR 2 x 1c CABLES PER PHASE & N - MAX. 630mm.sq
1	1	HV CABLE BOX - 12kV, 3-POLE, HEAT-SHRINK INSULATION, (FACING-'E' BS:2562) SUITABLE FOR 1 x 3c CABLE - MAX. 185mm.sq

IF IN DOUBT - ASK. REMOVE ALL SHARP EDGES. DO NOT SCALE. DRAWING NOT TO SCALE

REV	BY	VERIFIED	DESCRIPTION	
01	ASHWINI	H. MALEPATI	M. GREEN	MINOR CHANGES IN DIMENSIONS FROM: 2111398
00	ASHWINI	H. MALEPATI	H. MALEPATI	ORIGINAL DESCRIPTION

REVISION	DESCRIPTION
02	RE-DRAWN IN INVENTOR

REV	02
PROJECT	
CUSTOMER	
S.O. NUMBER	
P.O. NUMBER	
DATE	08-NOV-2016
REV. BY:	S. MALLETT
VERIFIED:	F. MEHMOOD
APPROVED:	J. DUCE
DATE	10-MAR-2017
DATE	10-MAR-2017

DRAWING TITLE	
GENERAL ARRANGEMENT DRAWING FOR	1000kVA WILSON e1 ECOTRANS
11000/415V, 50Hz, Dyn11, ONAN/KNAN	AL WOUND DISTRIBUTION TRANSFORMER

Wilson Power Solutions Ltd.
Westland Square, Leeds,
West Yorkshire LS11 5SS, United Kingdom
Tel: +44 (0) 113 271 7588
Fax: +44 (0) 113 277 5124
web: www.wilsonpowersolutions.co.uk email: info@wilsonpowersolutions.co.uk

WILSON POWER SOLUTIONS

web: www.wilsonpowersolutions.co.uk email: info@wilsonpowersolutions.co.uk

DRAWN BY: S. MALLETT DATE: 24/08/2016 DRG NO: **WPS-1000-AL-GA**