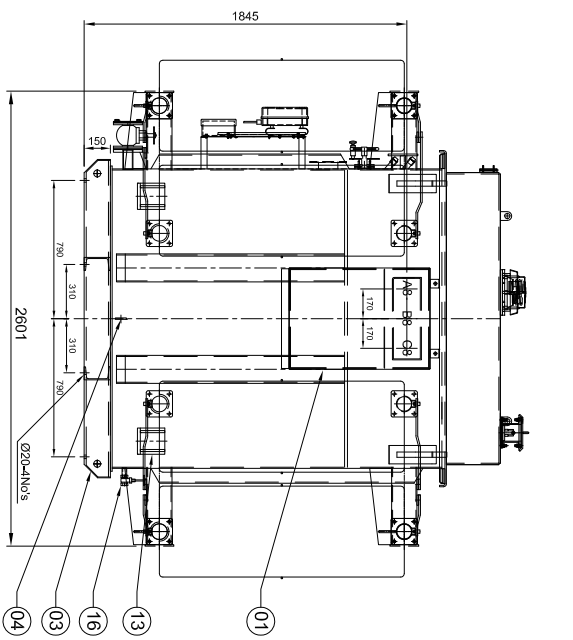


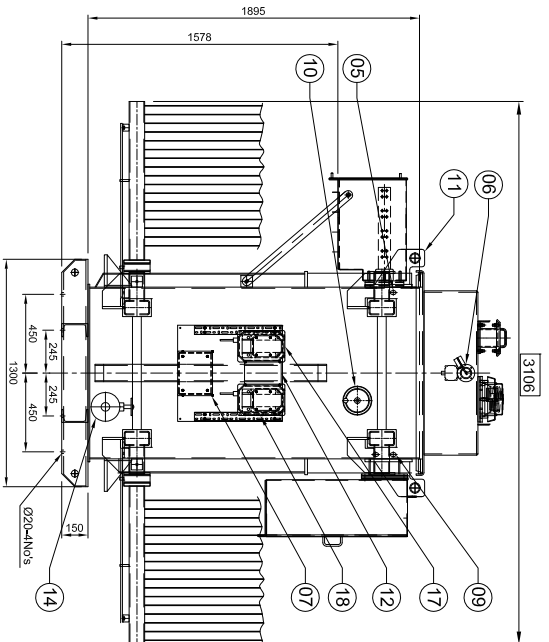
DIMENSIONS SHOWN ARE IN MM

THIS DRAWING IS THE PROPERTY OF WILSON POWER SOLUTIONS LTD AND IS ISSUED ON THE CONDITION THAT IT IS NOT COPIED, REPRODUCED OR DISCLOSED TO A THIRD PARTY WHOLLY OR IN PART WITHOUT PRIOR CONSENT IN WRITING.

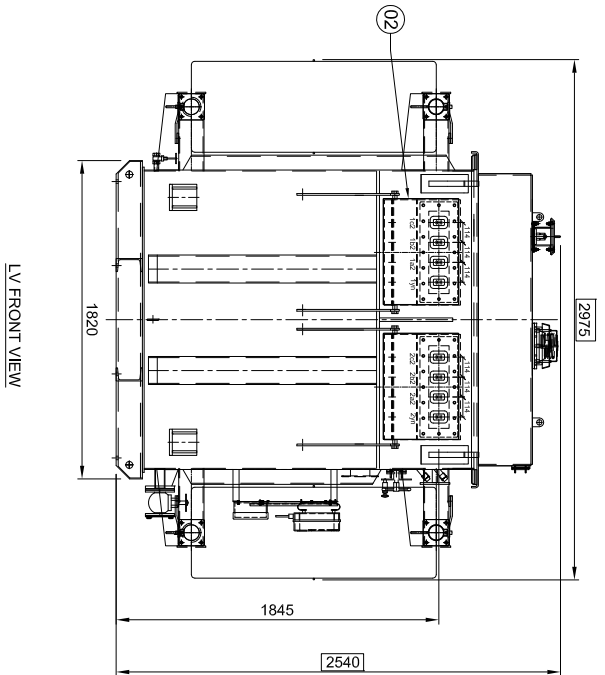
GENERAL NOTES:



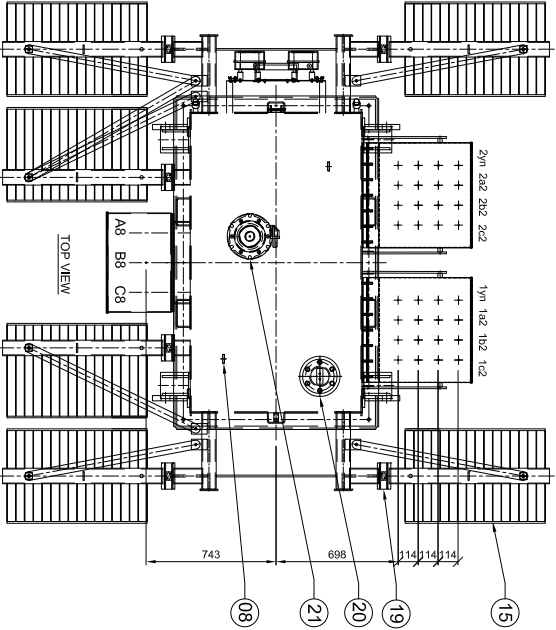
HV FRONT VIEW



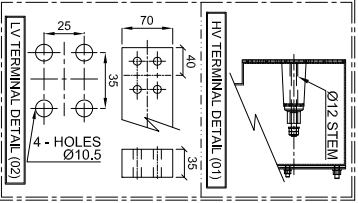
SIDE VIEW



LV FRONT VIEW



TOP VIEW



TRANSFORMER WEIGHT & VOLUME	
CORE AND WINDING	kg
TANK AND FITTING	kg
COOLING LIQUID VOLUME	lit
COOLING LIQUID WEIGHT	kg
TOTAL TX WEIGHT	kg

ITEM	DESCRIPTION	QTY.
01	HV CABLE BOX - 12kV, 3-POLE, HEAT-SHRINK INSULATION (FACING-E; BS:2528)	1
02	LV CABLE BOX - 1.1kV, 4-POLE, AIR INSULATION (FACING-F; BS:2562) with 4 TAKE-OFF PER P & N	2
03	TRANSFORMER BASE (SKID TYPE) WITH HAULAGE HOLES	1
04	EARTHING TERMINAL (FLAT TYPE suitable for M12 Bolt)	2
05	O.T.I POCKET WITH 3/4" FEMALE THREAD	1
06	MAGNETIC OIL GAUGE - JIMLO R 100	1
07	MARSHALLING BOX - WPS-MB-020	1
08	TOP COVER WITH LIFTING LUGS (2 Nos)	1
09	THERMOMETER POCKET (3/4" BSP Male Thread)	2
10	OFF-CIRCUIT TAP SWITCH (6-Position & Padlockable)	1
11	TRANSFORMER LIFTING LUGS	4
12	RATING AND DIAGRAM PLATE (SS)	1
13	JACKING PADS	4
14	DRAIN VALVE (0225) with MALE PLUG	1
15	DETACHABLE RADIATORS with AIR-RELEASE & DRAIN PLUG (520W x 1200C x 17S x 40P)	6
16	SAMPLING VALVE	1
17	WINDING TEMPERATURE INDICATOR - AKM35	1
18	OIL TEMPERATURE INDICATOR - AKM34	1
19	RADIATOR SHUT OFF VALVES	12
20	W/IT CT BUSHING TERMINALS ENCLOSED IN BOX	1
21	PRESSURE RELIEF DEVICE - TYPE 208	1

ELECTRICAL RATINGS	
No Load Voltage Ratio at Normal Tap	Full Load Current at Normal Tap
33000 / 400 - 400V	69.982A
+7.5 to -5.0% Dyn11Yn11	2886.752A
3000 / 2.5% x 5kvs	2886.752A
No Load Losses at rated Voltage & Frequency	Temp. Rise above Ambient 40°C
7.0% 2650W	In Oil by Therm.
	In Wdg. by Res.
	65 °C

- GENERAL NOTES
- ALL DIMENSIONS ARE IN 'mm'.
 - ALL DIMENSIONS/WEIGHTS ARE SUBJECT TO +/-10% TOLERANCE.
 - ELECTRONIC SCALE - 1:1 (ONLY WRITTEN DIMENSIONS TO BE FOLLOWED)
 - TOLERANCE ON IMPEDANCE AS PER IEC:76.
 - PAINT SHADE No. 632 AS PER BS:381C (Dark Admiralty Grey/Semi-Gloss)
 - LAYOUT OF FITTINGS / ACCESSORIES ARE TENTATIVELY SHOWN.
 - AS BUILT DRAWING SHALL BE PROVIDED, IF ANY CHANGES.
 - SOME PARTS ARE NOT SHOWN IN SOME VIEWS FOR CLARITY.

REV.	REV BY	VERIFIED	APPROVED	DESCRIPTION
1				
2				

REVISION DESCRIPTION	
REV.	REV.
APPROVED	APPROVED

PROJECT	
TITLE	GENERAL ARRANGEMENT DRAWING FOR 4000KVA WILSON 61 ECOTRANS
CUSTOMER	33000/400V, 50HZ, Dyn11Yn11, ONAN
S.O. NUMBER	AL WOUND DISTRIBUTION TRANSFORMER
P.O. NUMBER	

DRAWING TITLE
GENERAL ARRANGEMENT DRAWING FOR 4000KVA WILSON 61 ECOTRANS
33000/400V, 50HZ, Dyn11Yn11, ONAN
AL WOUND DISTRIBUTION TRANSFORMER

WILSON POWER SOLUTIONS
 Wilson Power Solutions Ltd.
 West Yorkshire, England
 Tel: +44 (0) 113 271 7288
 Fax: +44 (0) 113 271 5124
 www.wilsonpowersolutions.co.uk
 Email: info@wilsonpowersolutions.co.uk