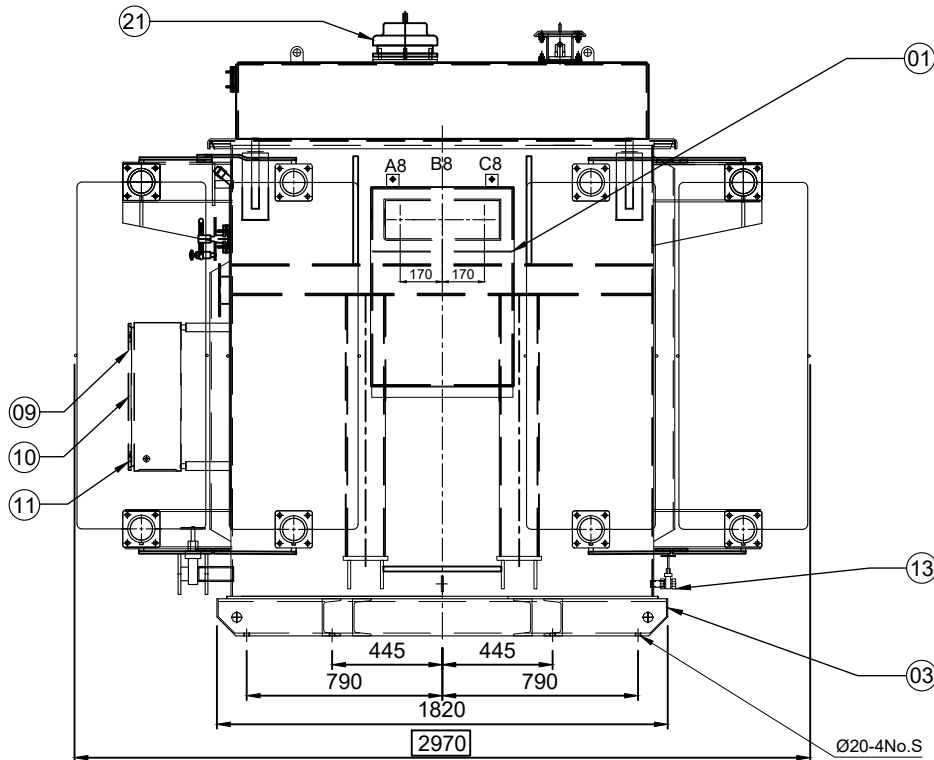


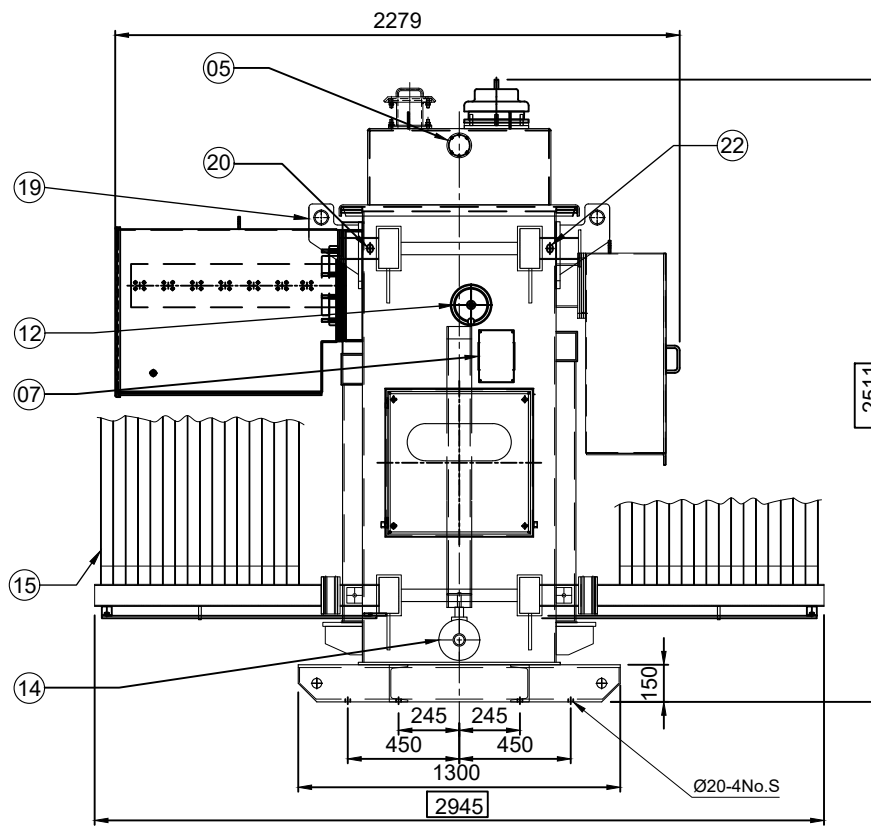
DIMENSIONS SHOWN ARE IN mm

THIS DRAWING IS THE PROPERTY OF WILSON POWER SOLUTIONS LTD AND IS ISSUED ON CONDITION THAT IT IS NOT COPIED, REPRINTED OR DISCLOSED TO A THIRD PARTY WHOLLY OR IN PART WITHOUT PRIOR CONSENT IN WRITING.

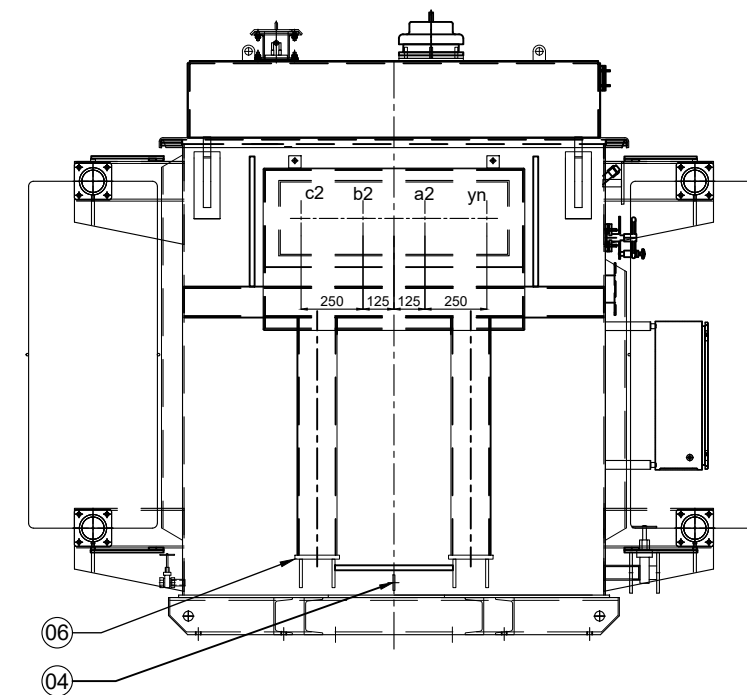
GENERAL NOTES:



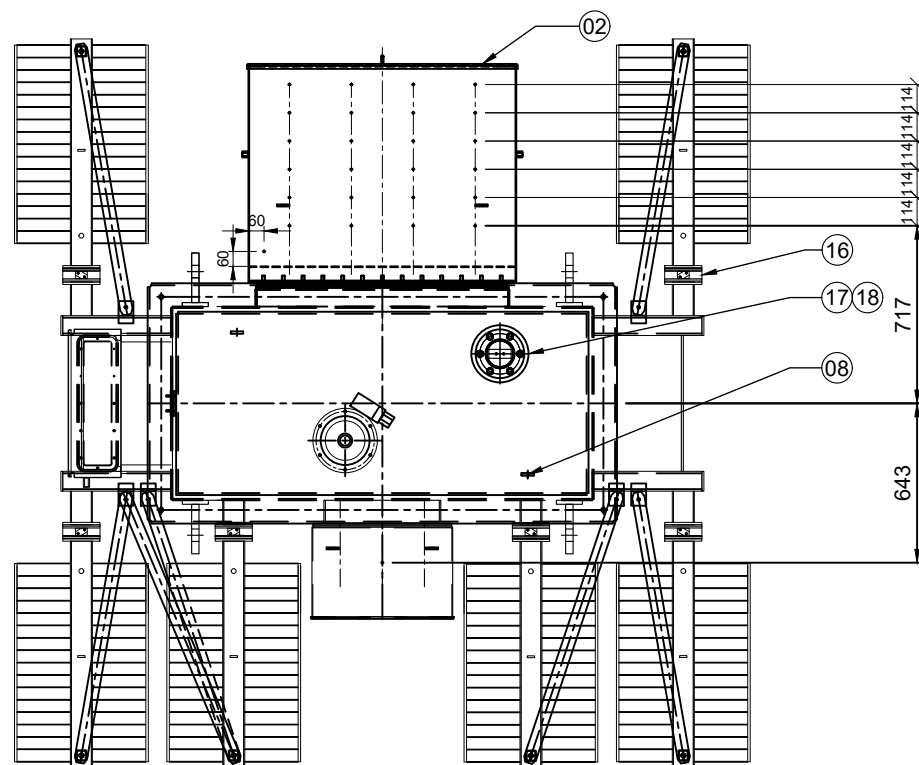
FRONT ELEVATION - HV SIDE



SIDE ELEVATION



FRONT ELEVATION - LV SIDE



PLAN

HV BUSHINGS ARE EUROMOLD TYPE & SUITABLE FOR TYPE "C" INTERFACE CONNECTOR.



TRANSFORMER WEIGHT & VOLUME		
CORE AND WINDING	kg	4350
TANK AND FITTING	kg	2650
CONDUCTOR	kg	1050
COOLING LIQUID VOLUME	ltr	2330
COOLING LIQUID WEIGHT	kg	1900
TOTAL TX WEIGHT	kg	9950

4000kVA ELECTRICAL RATINGS					
No Load Voltage Ratio at Normal Tap	HV Tappings	Vector Group	Frequency	Full-Load Current at Normal Tap	
				HV Side	LV Side
400/33000V	+5.0 to -5.0% @ 2.5% x 4Nos.	Dyn-11	50Hz	69.982A	5773.51A
Impedance at Normal Tap	No Load Losses at rated Voltage & Frequency	Full Load Losses at rated Current & at 75°C Temp.	Temp. Rise above Ambient 40°C		
			in Oil by Therm.	in Wdg. by Res.	
7.0%	2650W	43000W	60 °C	65 °C	

GENERAL NOTES	
1	ALL DIMENSIONS ARE IN 'mm'.
2	ALL DIMENSIONS/WEIGHTS ARE SUBJECT TO ±10% TOLERANCE.
3	ELECTRONIC SCALE - 1:1 (ONLY WRITTEN DIMENSIONS TO BE FOLLOWED)
4	TOLERANCE ON IMPEDANCE AS PER IEC:76.
5	PAINT SHADE No.: 632 AS PER BS:381C (Dark Admiralty Grey/Semi-Gloss).
6	LAYOUT OF FITTINGS / ACCESSORIES ARE TENTATIVELY SHOWN.
7	AS BUILT DRAWING SHALL BE PROVIDED, IF ANY CHANGES.
8	SOME PARTS ARE NOT SHOWN IN SOME VIEWS FOR CLARITY.

ITEM	DESCRIPTION	QTY.
01	HV CABLE BOX - EUROMOLD TYPE CABLE CONNECTORS (FACING-'E' BS:2526), WITH 1 CABLE PHASE	1
02	LV CABLE BOX SUITABLE FOR 48 x SINGLE CORE CABLES (FACING-'F', BS:2562) WITH REMOVABLE N.E LINK	1
03	BI-DIRECTIONAL SKID WITH BOTTOM MOUNTING CHANNEL	1
04	EARTHING TERMINAL (FLAT TYPE suitable for M12 Bolt)	2
05	MAGNETIC OIL GUAGE	1
06	JACKING PADS	4
07	RATING & CONNECTION DIAGRAM PLATE	1
08	TOP COVER with LIFTING LUGS (2Nos.)	1
09	MARSHALLING BOX WITH WIRING DIAGRAM PLATE	1
10	OIL TEMP. INDICATOR c/w ALARM & TRIP CONTACTS	1
11	WINDING TEMP. INDICATOR c/w ALARM & TRIP CONTACTS	1
12	OFF-CIRCUIT TAP SWITCH	1
13	SAMPLING VALVE	1
14	DRAIN VALVE (Ø25)	1
15	DETACHABLE RADIATORS with AIR-RELEASE & DRAIN PLUG (520W x 1400C x 17S x 40P)	6
16	RADIATOR SHUT-OFF VALVES	12
17	CT BUSHINGS TERMINAL BOX	1
18	EPOXY CAST ASSEMBLY FOR WTI CT - SEC. TERMINALS	1
19	TANK LIFTING LUGS	4
20	O.T.I POCKET WITH 3/4" FEMALE THREAD	1
21	PRESSURE RELIEF DEVICE	1
22	THERMOMETER POCKET	1

REVISION HISTORY	REVISION DESCRIPTION	IMPEDANCE CORRECTED
00	ASHWINI	D.ANDREWS
01	REV BY	VERIFIED
02	D.ANDREWS	H.MALEPATI
03	VERIFIED	APPROVED
04	DESCRIPTION	ORIGINAL
05	DESCRIPTION	

REVISION	DESCRIPTION	DATE	PROJECT TITLE
01	IMPEDANCE CORRECTED	07-DEC-2015	CUSTOMER
	REV BY: D.ANDREWS	09-DEC-2015	S.O. NUMBER S 5845
	VERIFIED: J.DUCE		P.O. NUMBER
	APPROVED: ASHWINI		

DRAWING TITLE	
GENERAL ARRANGEMENT DRAWING FOR 4000kVA WILSON ECOTRANS - SPECIAL 400/33000V, 50Hz, Dyn11, ONAN CU WOUND DISTRIBUTION TRANSFORMER	

Wilson Power Solutions Ltd.
 Westland Square, Leeds
 West Yorkshire LS11 5SS, United Kingdom
 Tel: +44 (0) 113 271 7588
 Fax: +44 (0) 113 277 5124
 web: www.wilsonpowersolutions.co.uk email: info@wilsonpowersolutions.co.uk

WILSON POWER SOLUTIONS

DRAWN BY: ASHWINI DATE DRAWN: 30-NOV-2015 DWG. No. WPS5845-GA-001